



**City of Seattle**

**Appendix E - Additional Design Requirements and Plant Lists**

**City of Seattle**  
**Stormwater Manual**  
July 2021

**Note:**

Some pages in this document have been purposely skipped or blank pages inserted so that this document will copy correctly when duplexed.

## Table of Contents

E-1.	Flow Control Structures .....	1
	General Requirements .....	3
	Access .....	4
	Design Criteria.....	4
	Multiple Orifice Restrictor .....	4
	Weir Restrictor .....	5
	Flow Control Device Sizing .....	5
	Orifices .....	5
	Riser Overflow .....	6
E-2.	Flow Splitters .....	7
	General Design Criteria .....	7
	Materials.....	7
E-3.	Flow Spreaders .....	11
	General Design Criteria .....	11
	Option A - Anchored Plate .....	11
	Option B - Concrete Sump Box.....	12
	Option C - Notched Curb Spreader .....	12
	Option D - Through-Curb Ports.....	12
	Option E - Interrupted Curb .....	13
E-4.	Level Spreaders .....	15
	Definition.....	15
	Purpose .....	15
	Condition Where Practice Applies.....	15
	Planning Considerations.....	15
	Design Criteria.....	15
	Maintenance .....	17
E-5.	Pipe Slope Drains.....	19
	Definition.....	19
	Purpose .....	19
	Conditions Where Practice Applies.....	19
	Planning Considerations.....	19
	Design Criteria.....	20
	Maintenance .....	21
E-6.	Outlet Protection .....	23
	Definition.....	23
	Purpose .....	23
	Condition Where Practice Applies.....	23

Planning Considerations.....	23
Design Criteria.....	23
Maintenance .....	24
E-7. Liners .....	25
Design Criteria for Treatment Liners .....	26
Design Criteria for Low Permeability Liners .....	27
Compacted Till Liners .....	27
Clay Liners.....	28
Concrete Liners.....	28
Design Criteria for Impermeable Liners .....	29
Geomembrane Liners .....	29
E-8. Geotextiles.....	31
E-9. Plant Lists for Bioretention, Biofiltration Swales, Sand Filters, and Wet Ponds.....	33
Bioretention.....	33
Biofiltration Swales .....	68
Sand Filters .....	71
Wet Ponds.....	72
E-10. Drywell Sizing Tables .....	73

## Tables

Table E.1. Spreader Length Based on 10-Year, 24-Hour Storm. ....	17
Table E.2. Lining Types Required by BMP Type. ....	26
Table E.3. Compacted Till Liners. ....	28
Table E.4. Part Shade List. ....	35
Table E.5. Sun List. ....	38
Table E.6. Native List (Sun to Part Shade includes cultivars). ....	44
Table E.7. Intersection and View Restriction Palette (under 24 inches in height). ....	50
Table E.8. Vertical Shrubs and Accent Plants. ....	53
Table E.9. Groundcovers if Low Profile is Required. ....	56
Table E.10. Steppable Plants. ....	58
Table E.11. Conifers (deciduous and evergreen). ....	59
Table E.12. Medium/Large Broad-leaved Evergreen Trees. ....	59
Table E.13. Large Deciduous Columnar Trees.....	60
Table E.14. Large Deciduous Trees. ....	61
Table E.15. Medium/Large Deciduous Trees. ....	62

Table E.16.	Medium Columnar Deciduous Trees. ....	63
Table E.17.	Medium Deciduous Trees. ....	64
Table E.18.	Small Conifer/Broad-leaved Evergreen Trees. ....	65
Table E.19.	Small Deciduous Trees. ....	66
Table E.20.	Plants Tolerant of Frequent Saturated Soil Conditions or Standing Water. ....	68
Table E.21.	Plants Suitable for the Upper Side Slopes of a Biofiltration Swale. ....	69
Table E.22.	Recommended Plants for Wet Biofiltration Swales.....	70
Table E.23.	Recommended Plants for Sand Filters. ....	71
Table E.24.	Plants for Wet Pond Peripheries.....	72
Table E.25.	Drywell Sizing Downstream of Bioretention Sized for Water Quality Treatment Standard or Permeable Pavement Facility. ....	73
Table E.26.	Drywell Sizing Downstream of Bioretention Sized for the Pre-Developed Pasture Standard.....	74
Table E.27.	Drywell Sizing Downstream of Bioretention Sized for the On-Site Stormwater Management Standard. ....	74
Table E.28.	Drywell Sizing Without Bioretention or Permeable Pavement Facility Upstream. ....	75

## Figures

Figure E.1.	Simple Orifice. ....	1
Figure E.2.	V-Notch, Sharp-Crested Weir. ....	2
Figure E.3.	Rectangular Notch, Sharp-Crested Weir. ....	3
Figure E.4.	Riser Inflow Curves. ....	6
Figure E.5.	Flow Splitter Example A. ....	8
Figure E.6.	Flow Splitter Example B. ....	9
Figure E.7.	Level Spreader Prior to Backfill and Downstream Stabilization. ....	16
Figure E.8.	Pipe Slope Drain Details. ....	19



Appendix E includes additional design requirements for the following:

- Flow Control Structures (*Section E-1*)
- Flow Splitters (*Section E-2*)
- Flow Spreaders (*Section E-3*)
- Level Spreaders (*Section E-4*)
- Pipe Slope Drains (*Section E-5*)
- Outlet Protection (*Section E-6*)
- Liners (*Section E-7*)
- Geotextiles (*Section E-8*)
- Plant Lists for Bioretention, Biofiltration Swales, Sand Filters, and Wet Ponds (*Section E-9*)
- Drywell Sizing Tables (*Section E-10*)





## E-1. Flow Control Structures

Flow control structures are catch basins or maintenance holes with a restrictor device for controlling outflow from a BMP to meet the desired performance.

The flow control device usually consists of two or more orifices and/or a weir section sized to meet performance requirements. Standard flow control device details are shown in Figures E.1, E.2, and E.3 and in City of Seattle Standard Plan 272a.

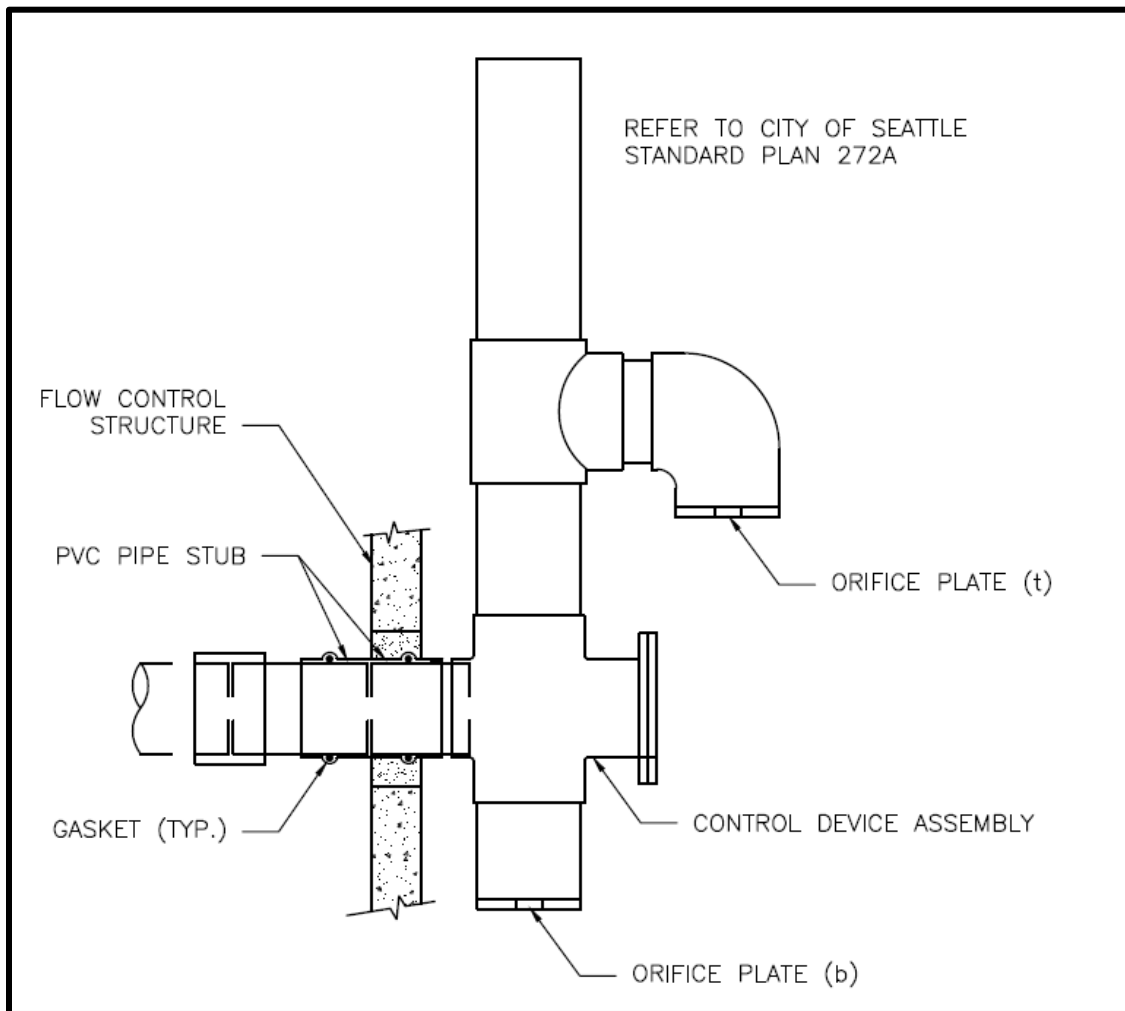


Figure E.1. Simple Orifice.

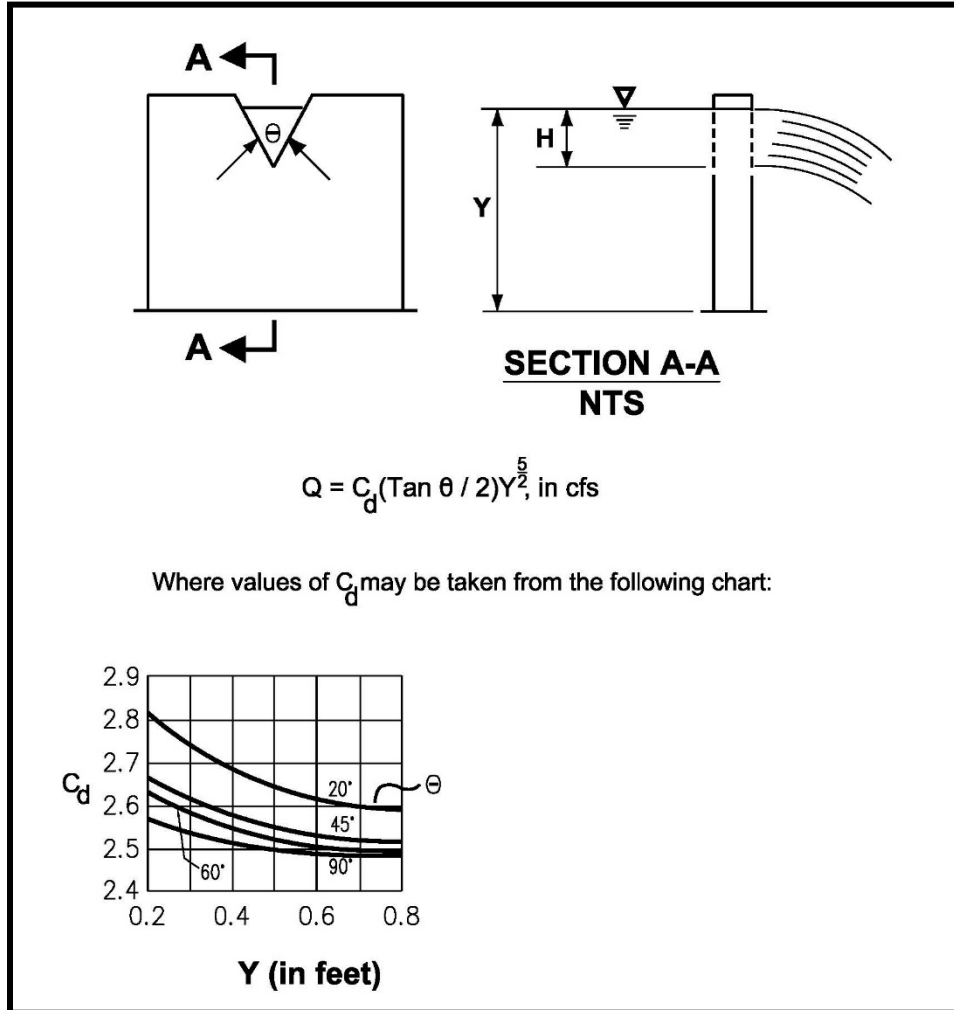


Figure E.2. V-Notch, Sharp-Crested Weir.

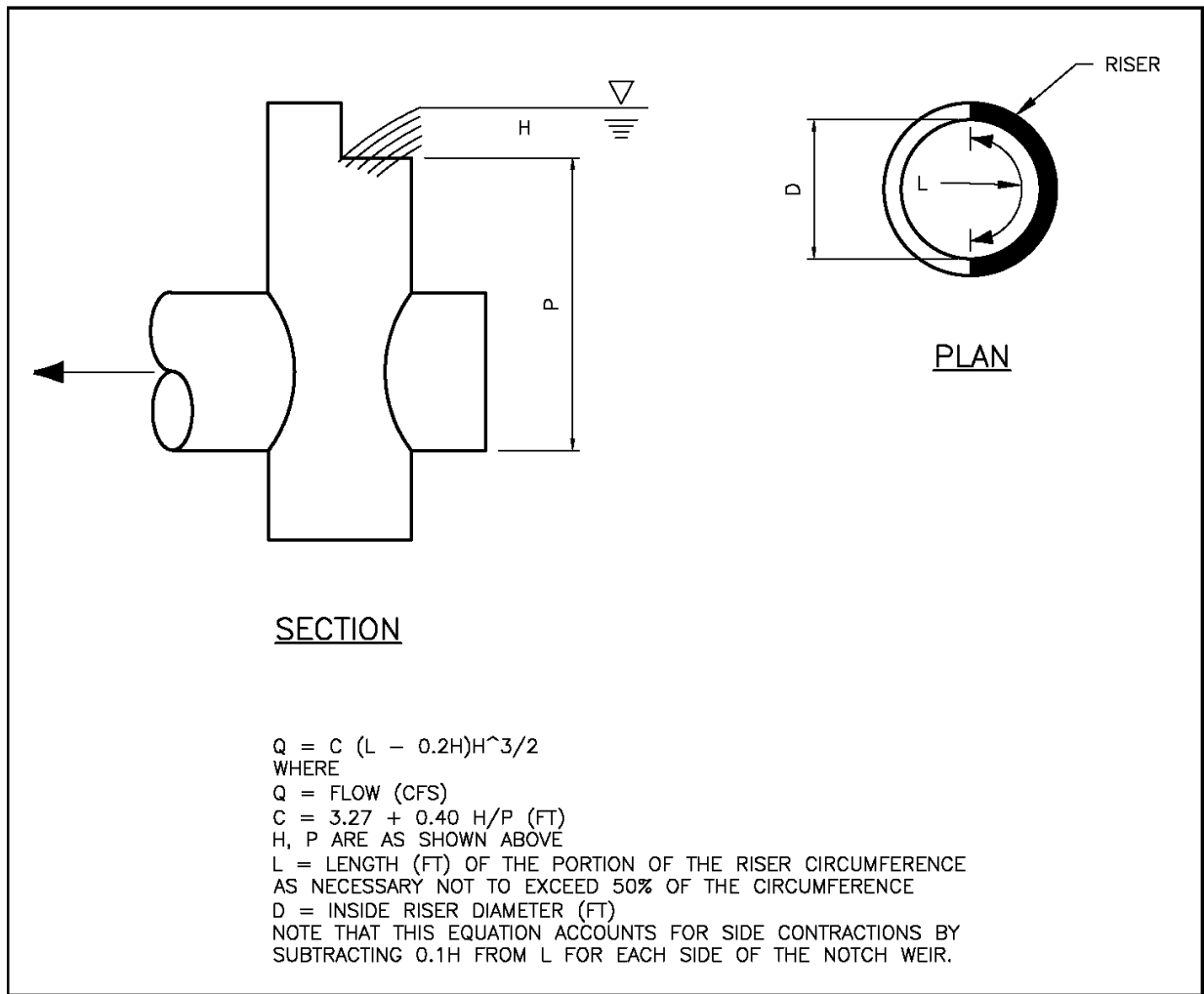


Figure E.3. Rectangular Notch, Sharp-Crested Weir.

### General Requirements

Flow control structures shall comply with the specifications outlined in the City of Seattle’s Standard Plans No. 270 and 272A. Additional general requirements are presented below.

Plans submitted for a permit shall include:

- Flow control structure rim elevation
- Storage pipe invert elevation
- Outlet pipe invert elevation
- Elevation at the top of the storage pipe
- Elevation at the top of the overflow pipe
- Orifice diameter(s)
- Orifice elevation(s)

For ponding BMPs, backwater effects shall be included in designing the height of the downstream conveyance system. High tailwater elevations may affect performance of the restrictor system and reduce live storage volumes.

For regionally sized detention BMPs, non-standard orifice orientation and orifice/weir and gate combinations for flow throttling may be used to meet both stormwater and operational requirements. These general requirements are not meant to be restrictive when a flow control need beyond what is discussed here can be demonstrated.

## *Access*

The following access requirements apply to control structures:

- Access shall be provided to the flow control structure from the ground surface with a three-bolt locking maintenance hole ring and cover (refer to SDCI Director's Rule 2011-4, Requirements for Design & Construction of Side Sewers). Rim elevations shall match proposed finish grade. A rectangular cover, or a cover that allows water to enter through the top of the flow control structure, shall not be used. The ring and cover shall be set so the flow control device or the ladder is visible at the edge of the access opening.
- The inside diameter of the flow control structure shall be at least 4 feet to allow maintenance and repair access, and to accommodate stormwater overflow.
- Maintenance holes and catch basins shall meet the OSHA and WISHA confined space requirements, which include, but are not limited to, clearly marking entrances to confined space areas. This may be accomplished by hanging a removable sign in the access riser under the access lid.
- The flow control device shall not be Corrugated Metal Pipe (CMP). The mounting straps and the outlet adapter shall be installed in a manner that will make the flow control device easily removable for maintenance, repair, or replacement. The flow control device shall be designed and located under the maintenance hole ring and cover for inspection from the surface. The outlet pipe adapter may be a plastic, bell-end pipe, or a plastic coupling with rubber gaskets. The outside of the pipe or coupling shall be sanded, epoxy coated, and sand impacted to bond with the flow control structure.

## *Design Criteria*

### *Multiple Orifice Restrictor*

In most cases, control structures only need two orifices: one at the bottom and one near the top of the riser, oriented horizontally. Additional orifices may best utilize detention storage volume in a few cases.

Design requirements for multiple orifice flow restrictors are presented below.

- The minimum allowable orifice diameter is 0.5 inch for underground tanks or vaults and 0.25 inch for aboveground cisterns. In some instances, a 0.5-inch bottom orifice will be too large to meet target release rates, even with minimal head. In these cases, the live storage depth need not be reduced to less than 3 feet in an attempt to meet

the performance standards. Also, underground weirs or orifices shall not be reduced to less than 0.5-inch length or diameter in an attempt to meet the performance standards.

- In some cases, performance requirements may require the top orifice/elbow to be located too high on the riser to be physically constructed (e.g., a 13-inch diameter orifice positioned 0.5 feet from the top of the riser). In these cases, a notch weir in the riser pipe may be used to meet performance requirements.

### *Weir Restrictor*

Design requirements for weir flow restrictors are presented below.

- A sharp crested overflow weir shall be used to provide for overflow of the detention BMP and should be analyzed for the developed 100-year peak flow discharge (Figure E.4).
- A notch weir may be used to restrict flows and replace a top orifice.

## *Flow Control Device Sizing*

### *Orifices*

Flow-through orifice plates in the standard tee section or down-turned elbow may be approximated by the general equation:

$$Q = CA\sqrt{2gh}$$

- where
- Q = flow (cfs)
  - C = coefficient of discharge (0.62 for plate orifice)
  - A = area of orifice (ft<sup>2</sup>)
  - h = hydraulic head (ft)
  - g = gravity (32.2 ft/sec<sup>2</sup>)

Figure E.4 illustrates this simplified application of the orifice equation.

The diameter of the orifice is calculated from the flow. The orifice equation is often useful when expressed as the orifice diameter in inches.

$$d = \sqrt{\frac{36.88Q}{\sqrt{h}}}$$

- where
- d = orifice diameter (inches)
  - Q = flow (cfs)
  - h = hydraulic head (ft)

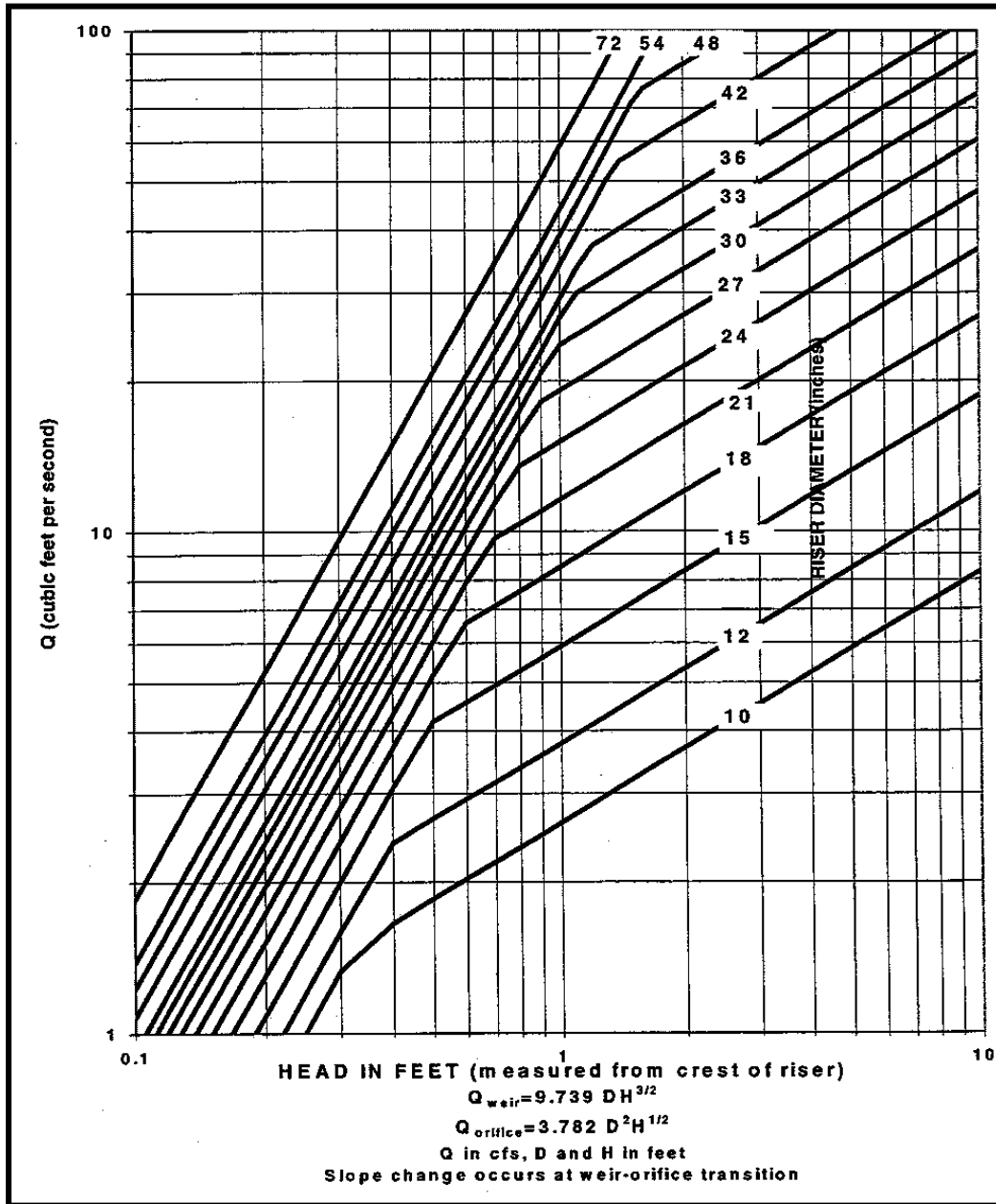


Figure E.4. Riser Inflow Curves.

**Riser Overflow**

The combined orifice and riser (or weir) overflow may be used to meet performance requirements; however, the design shall still provide for overflow of the developed 100-year peak flow assuming all orifices are plugged. The nomograph in Figure E.4 can be used to determine the head (in feet) above a riser of given diameter and for a given flow. For design requirements on overflows, refer to *Volume 3, Section 4.3.4*.

## E-2. Flow Splitters

Flow splitters are typically structures with baffles, weirs, or orifice controls. Two examples of maintenance hole flow splitters are shown in Figure E.5 and Figure E.6. Other equivalent designs for splitting flows may also be acceptable.

### *General Design Criteria*

The top of the weir shall be located at the water surface for the design flow. Flows modeled using a continuous simulation model shall be at a 15-minute time step or less.

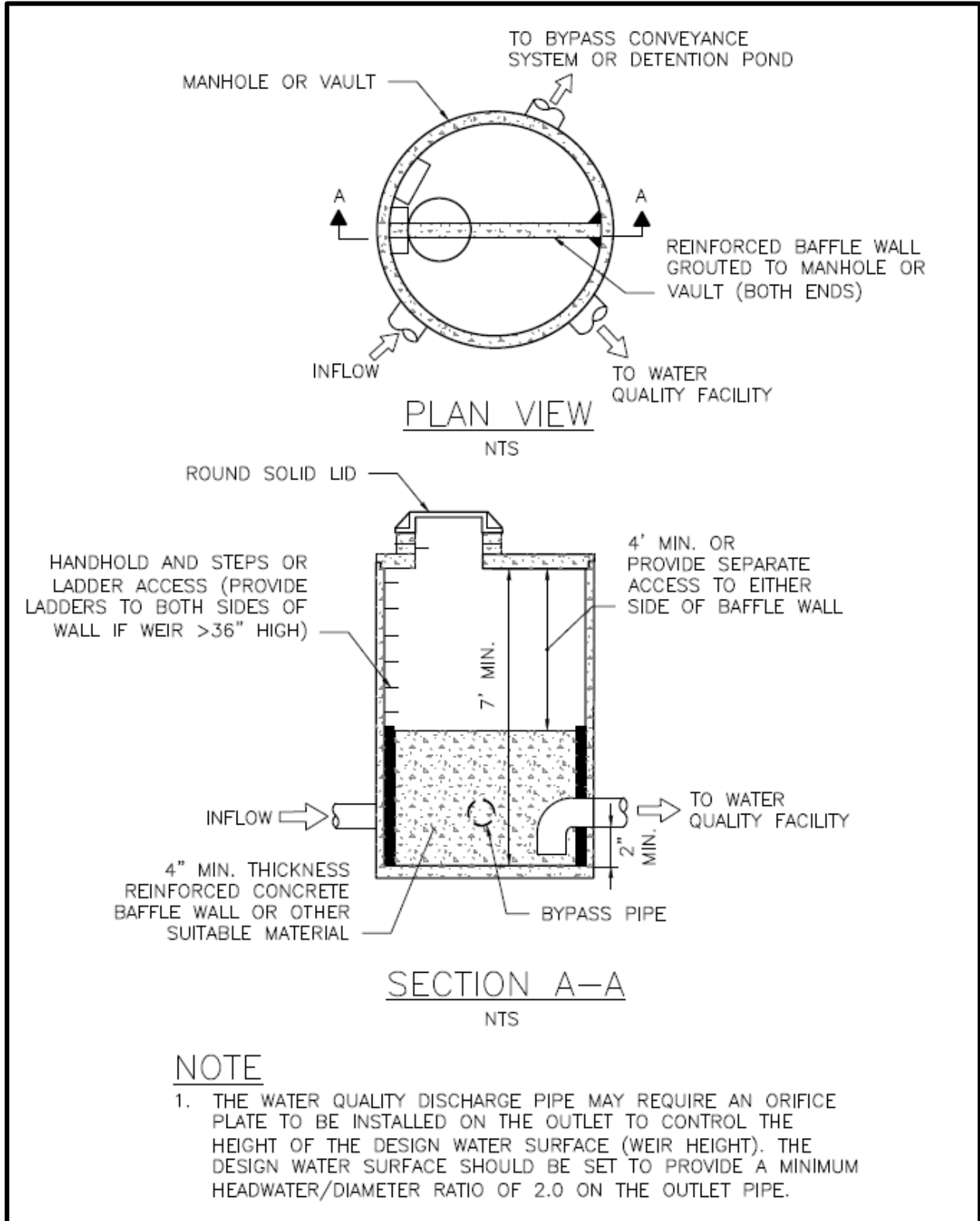
The maximum head shall be minimized for flow in excess of the water quality design flow. Specifically, flow to the treatment BMP at the 100-year water surface shall not increase the design water quality flow by more than 10 percent.

As an alternative to using a solid top plate in Figure E.6, a full tee section may be used with the top of the tee at the 100-year water surface. This alternative would route emergency overflows (if the overflow pipe were plugged) through the treatment BMP rather than generate back up from the maintenance hole.

Backwater effects shall be included in the design of standpipe height in the maintenance hole.

### *Materials*

- The splitter baffle may be installed in a maintenance hole or vault.
- The baffle wall shall be made of reinforced concrete or another suitable material resistant to corrosion, and have a minimum 4-inch thickness.
- All metal parts shall be corrosion resistant. Examples of required materials include aluminum, stainless steel, and plastic. Zinc and galvanized materials are prohibited because of aquatic toxicity. Painted metal parts shall not be used because of poor longevity.



**Figure E.5. Flow Splitter Example A.**



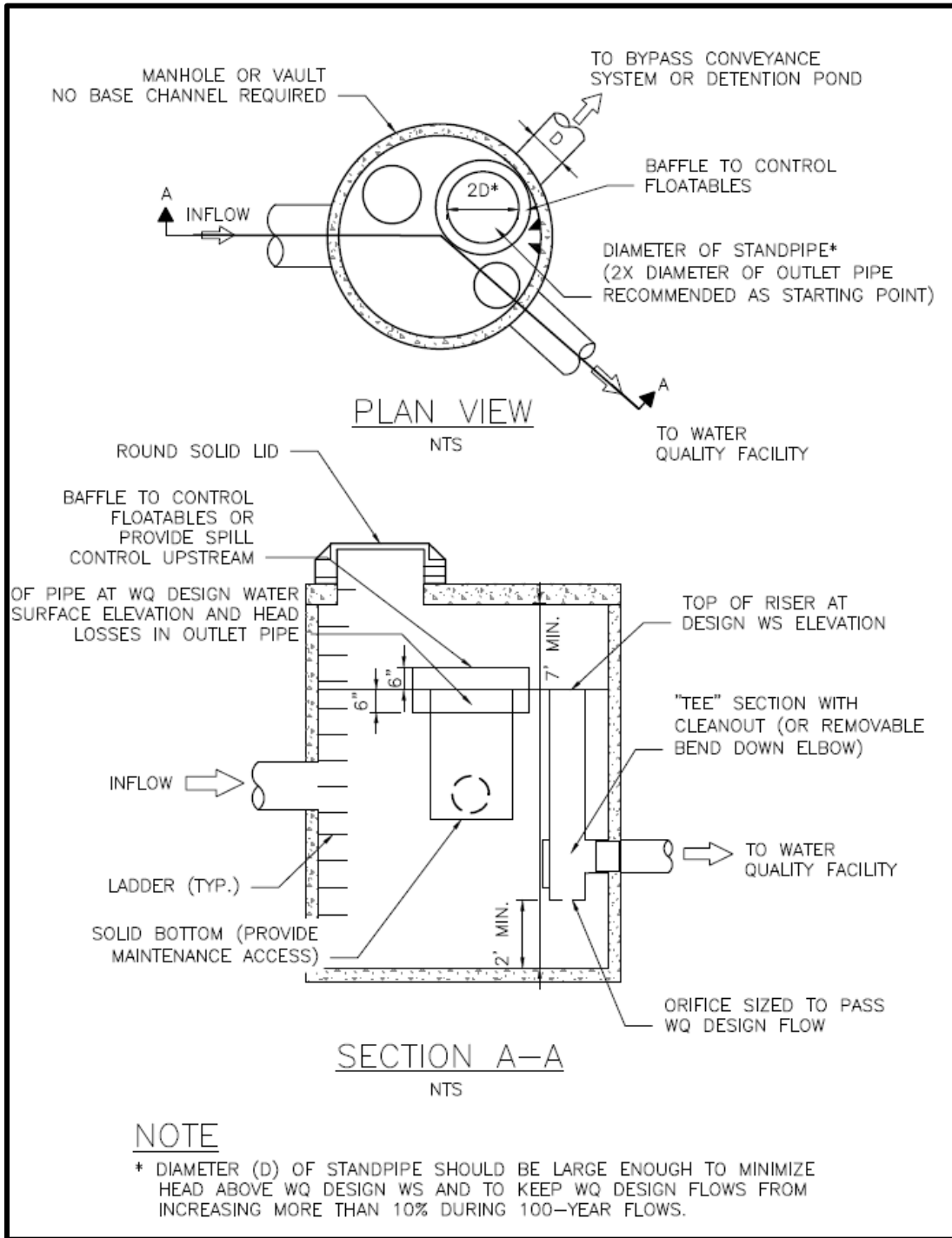


Figure E.6. Flow Splitter Example B.



## E-3. Flow Spreaders

Flow spreaders uniformly spread flows across the inflow portion of non-infiltrating BMPs (e.g., sand filter, biofiltration swale, or filter strip). There are five flow spreader options presented in this section:

- Option A – Anchored plate
- Option B – Concrete sump box
- Option C – Notched curb spreader
- Option D – Through-curb ports
- Option E – Interrupted curb

Options A through C can be used for spreading flows that are concentrated. Any one of these options can be used when spreading is required by the BMP design criteria. Options A through C can also be used for unconcentrated flows, and in some cases shall be used, such as to correct for moderate grade changes along a filter strip.

Options D and E can only be used for flows that are already unconcentrated and enter a filter strip or continuous inflow biofiltration swale. Other flow spreader options are possible with prior approval by the Director.

### *General Design Criteria*

- Where flow enters the flow spreader through a pipe, it is recommended that the pipe be submerged to the extent practical to dissipate energy as much as possible.
- For higher inflows (greater than 5 cfs for the 100-year storm), a Type 1 catch basin should be positioned in the spreader and the inflow pipe should enter the catch basin with flows exiting through the top grate of the catch basin. The top of the grate should be lower than the flow spreader plate, or if a notched spreader is used, lower than the bottom of the v-notches.

### *Option A – Anchored Plate*

- An anchored plate flow spreader shall be preceded by a sump having a minimum depth of 8 inches and minimum width of 24 inches. If not otherwise stabilized, the sump area shall be lined to reduce erosion and to provide energy dissipation.
- The top surface of the flow spreader plate shall be level, projecting a minimum of 2 inches above the ground surface of the treatment BMP, or v-notched with notches 6 to 10 inches on center and 1 to 6 inches deep (use shallower notches with closer spacing). Alternative designs may also be considered.
- A flow spreader plate shall extend horizontally beyond the bottom width of the BMP to prevent water from eroding the side slope. The horizontal extent shall be such that the bank is protected for all flows up to the 100-year flow, or the maximum flow that will enter the treatment BMP.
- Flow spreader plates shall be securely fixed in place.

- Flow spreader plates may be made of either wood, metal, fiberglass reinforced plastic, or other durable material. If wood, pressure treated 4- by 10-inch lumber or landscape timbers are acceptable.
- Anchor posts shall be 4-inch square concrete, tubular stainless steel, or other material resistant to decay. Refer to Volume V of the Stormwater Management Manual for Western Washington (SWMMWW) for an example of an anchored plate flow spreader.

### *Option B – Concrete Sump Box*

- The wall of the downstream side of a rectangular concrete sump box shall be level and shall extend a minimum of 2 inches above the inlet to the treatment BMP. This serves as a weir to spread the flows uniformly across the BMP inlet.
- The downstream wall of a sump box shall have “wing walls” at both ends. Side walls and returns shall be slightly higher than the weir so that erosion of the side slope is minimized.
- Concrete for a sump box can be either cast-in-place or precast, but the bottom of the sump shall be reinforced with wire mesh for cast-in-place sump boxes.
- Sump boxes shall be placed over bases that consist of 4 inches of crushed rock, 5/8-inch minus to help assure the sump box remains level. Refer to Volume V of the SWMMWW for an example of a concrete sump box flow spreader.

### *Option C – Notched Curb Spreader*

Notched curb spreader sections shall be made of extruded concrete laid side-by-side and level. Typically, five “teeth” per 4-foot section provides good spacing. The space between adjacent teeth forms a v-notch.

### *Option D – Through-Curb Ports*

Unconcentrated flows from paved areas entering filter strips or continuous inflow biofiltration swales can use through-curb ports (Option D) or interrupted curbs (Option E) to allow flows to enter the BMP. Through-curb ports use fabricated openings that allow concrete curbing to be poured or extruded while still providing an opening through the curb to admit water to the BMP.

Openings in the curb shall be at regular intervals and at least every 6 feet. The width of each opening shall be a minimum of 8 inches for non-right-of-way applications and a minimum of 10 inches in the right-of-way. Approximately 15 percent or more of the curb section length should be in open ports, and no port should discharge more than about 10 percent of the flow. Refer to Volume V of the SWMMWW for an example of a through-curb port flow spreader.

### *Option E – Interrupted Curb*

Interrupted curbs are sections of curb placed to have gaps spaced at regular intervals along the total width (or length, depending on the BMP) of the treatment area. At a minimum, gaps shall be every 6 feet to allow distribution of flows into the treatment BMP before they become too concentrated. The opening shall be a minimum of 8 inches for non-right-of-way applications and a minimum of 10 inches in the right-of-way. As a general rule, no opening should discharge more than 10 percent of the overall flow entering the BMP.



## E-4. Level Spreaders

### *Definition*

A level spreader is constructed at zero percent grade and can be used to distribute concentrated runoff to sheet flow. Level spreaders can be used as either a temporary or a permanent BMP.

### *Purpose*

To convert concentrated runoff to a thin layer of sheet flow to promote release onto a stable receiving area. For example, an existing vegetated area or a vegetated strip.

### *Condition Where Practice Applies*

None identified for this BMP.

### *Planning Considerations*

When properly constructed, the level spreader will significantly reduce the velocity of concentrated stormwater and spread it uniformly over a stabilized or undisturbed area.

Particular care shall be taken to ensure that the lower downslope side (or the lip) of the structure is level and on grade. If there are any depressions in the lip, flow will tend to concentrate at these points and erosion will occur, resulting in failure of the outlet. This problem may be avoided by using a grade board or a gravel lip over which the runoff shall flow when exiting the spreader. Regular maintenance is essential for this practice.

Level spreaders shall be constructed on undisturbed areas that are stabilized by existing vegetation, or areas that have been properly stabilized in accordance with the requirements of the Construction Stormwater and Erosion Control section of this manual (*Volume 2*), and where concentrated flows will be dissipated at zero percent grade (Figure E.7).

### *Design Criteria*

- The grade of the pipe and/or ditch for the last 20 feet before entering the level spreader shall be less than or equal to 1 percent, if feasible. If the grade is steeper, provide a flow dissipation device. The grade of the level spreader shall be zero percent to ensure uniform spreading of stormwater runoff.
- An 8-inch high gravel berm placed across the level lip shall consist of washed crushed rock, 2- to 4-inch or 0.75-inch to 1.5-inch size.

- The temporary level spreader length shall be calculated by one of the following methods:
  - Single Event Hydrograph Method: The peak volumetric flow rate from a 10-year, 24-hour design storm with a 10-minute time step, and selecting the appropriate length from Table E-1.
  - Continuous Simulation Method:
    - The 10-year peak flow rate as determined by an approved continuous runoff model with a 15-minute time step or less.
    - If the level spreader will be permanent, level spreader length will be determined by estimating the flow expected from the 25-year, 24-hour design storm (Q25). Alternatively, an approved continuous runoff model should be used to model the 25-year recurrence interval.
- Use multiple spreaders for higher flows.
- The depth of the spreader as measured from the lip should be at least 8 inches and should be uniform across the entire length.
- The area below the level spreader outlet shall be stabilized and have a slope of less than 11 percent.



**Figure E.7. Level Spreader Prior to Backfill and Downstream Stabilization.**



**Table E.1. Spreader Length Based on 10-Year, 24-Hour Storm.**

<b>Q<sub>10</sub> in cfs</b>	<b>Minimum Length (in feet)</b>
0 to 0.1	15
0.1 to 0.2	25
0.2 to 0.3	35
0.3 to 0.4	45
0.4 to 0.5	55

cfs = cubic feet per second

Q<sub>10</sub> = 10-year, 24-hour design storm

### *Maintenance*

The spreader should be inspected regularly to ensure that it is functioning correctly. Do not place any material on the level spreader and prevent traffic from crossing over the level spreader. If the level spreader is damaged, it shall be immediately repaired.



## E-5. Pipe Slope Drains

### Definition

A slope drain consists of a pipe extending from the top to the bottom of a cut or fill slope and discharging into a stabilized watercourse or a sediment trapping device or onto a stabilization area. It can also be used for water discharging from a flow control or treatment BMP, or to safely convey water past the toe of the slope. Pipe slope drains can be used as a temporary BMP.

### Purpose

To convey concentrated runoff down steep slopes without causing gullies, channel erosion, or saturation of landslide-prone soils (Figure E.8).

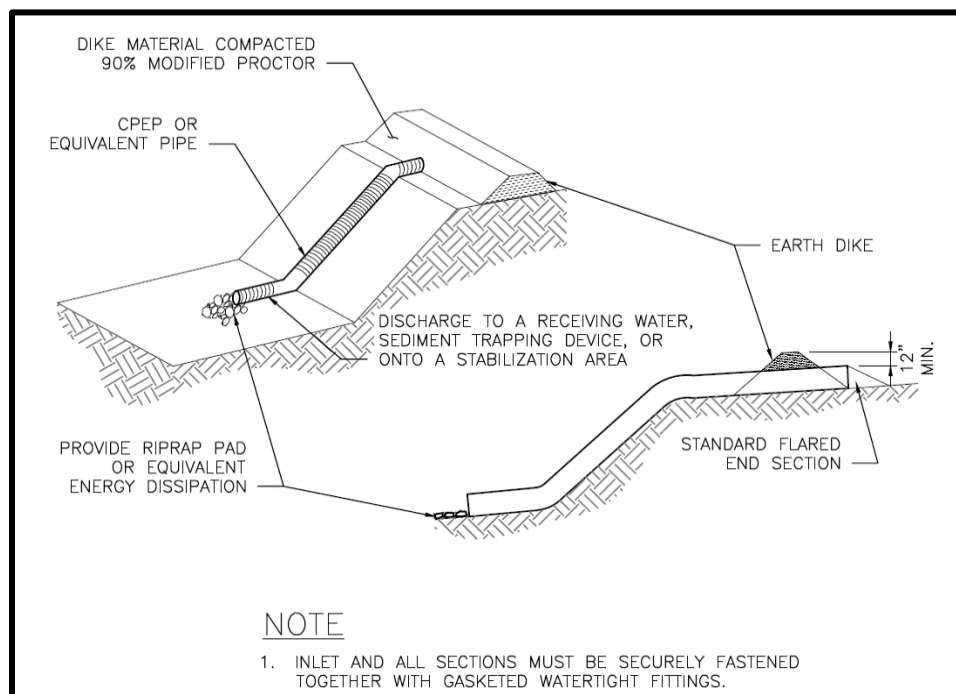


Figure E.8. Pipe Slope Drain Details.

### Conditions Where Practice Applies

Pipe slope drains shall be used when conveying concentrated runoff down a steep slope has the potential to cause erosion.

### Planning Considerations

There is often a lag between the time a cut or fill slope is completed and the time a permanent drainage system can be installed. During this period, the slope is usually not

stabilized and is particularly vulnerable to erosion. Temporary slope drains can provide valuable protection of exposed slopes until permanent drainage structures can be installed. The entrance section shall be securely entrenched, all connections shall be watertight, and the conduit shall be staked securely.

Additional protection requirements for steep slopes are included in the Environmentally Critical Area Ordinance (SMC, Section 25.09.180).

### *Design Criteria*

- Permanent slope drains shall be designed by a licensed engineer and may have additional criteria for flow and water quality treatment requirements. Variations or alterations to the minimum BMP requirements outlined below require a licensed engineer's approval.
- Size the pipe to convey the projected flow. The capacity for temporary drains shall be sufficient to handle the flows calculated by one of the following methods:
  - Single Event Hydrograph Method: The peak volumetric flow rate calculated using a 10-year, 24-hour design storm with a 10-minute time step.
  - Continuous Simulation Method: The 10 percent annual probability flow (10-year peak flow rate) using a 15-minute time step or less, indicated by an approved continuous runoff model.

The hydrologic analysis shall use the existing land cover condition for predicting flow rates from tributary areas outside the project limits. For tributary areas on the project site, the analysis shall use the temporary or permanent project land cover condition, whichever will produce the highest flow rates. If using WWHM, bare soil areas should be modeled as "landscaped area." Refer to *Appendix F* for additional information on stormwater modeling.

- Re-establish cover immediately on areas disturbed by installation.
- Ensure that the entrance area is stable and large enough to direct flow into the pipe.
- The entrance shall consist of a standard flared end section for culverts 12 inches and larger with a minimum 6-inch metal toe plate to prevent runoff from undercutting the pipe inlet. The slope of the entrance shall be at least 3 percent.
- Pipe slope drain size should be no greater than 6 inches. Intercept flow frequently by using multiple pipe slope drains. Multiple pipes should be no closer than 10 feet.
- The soil around and under the pipe and entrance section shall be thoroughly compacted to prevent undercutting.
- The flared inlet section shall be securely connected to the slope drain and have watertight connecting bands.
- Slope drain sections shall be securely fastened together and have gasketed watertight fittings, and be securely anchored into the soil.
- Thrust blocks should be installed any time 90 degree bends are utilized. Depending on size of pipe and flow, these can be constructed with sand bags, straw bales staked in place, "t" posts and wire, or ecology blocks.

- Pipe needs to be secured along its full length to prevent movement. This can be done with steel “t” posts and wire. Install a post on each side of the pipe and wire the pipe to them. This should be done every 10 to 20 feet of pipe length, depending on the size of the pipe and quantity of water diverted.
- Earth dikes shall be used to direct runoff into a pipe slope drain. The height of the dike shall be at least 12 inches higher at all points than the top of the inlet pipe.
- The area below the outlet shall be stabilized with a riprap apron (refer to *Section E-6* for outlet protection).
- If the pipe slope drain is conveying sediment-laden water, direct all flows into a sediment trapping BMP.
- Refer to the City of Seattle Standard Specifications for all material specifications (<http://www.seattle.gov/util/Engineering/StandardSpecsPlans/index.htm>).

### *Maintenance*

- Check inlet and outlet points regularly, especially after heavy storms. The inlet should be free of undercutting, and no water should be going around the point of entry. If there are problems, reinforce the headwall with compacted earth or sand bags. The outlet point should be free of erosion and installed with appropriate outlet protection.
- For permanent installations, inspect the pipe periodically for vandalism and physical distress such as slides and wind-throw. Clean the pipe and outlet structure at the completion of construction.
- Normally the pipe slope is so steep that clogging is not a problem with smooth wall pipe; however, debris may become lodged in the pipe or at the inlet.



## E-6. Outlet Protection

### *Definition*

Energy dissipating materials or devices placed at concentrated flow outlets, such as the outlets of pipes or paved channel sections. Outlet protection can be used as either a temporary or a permanent BMP.

### *Purpose*

To prevent scour at stormwater outlets, and to minimize the potential for downstream erosion by reducing the velocity of concentrated stormwater flows.

### *Condition Where Practice Applies*

Outlet protection is required wherever concentrated runoff could cause scour or erosion.

### *Planning Considerations*

None identified for this BMP.

### *Design Criteria*

- Permanent BMPs shall be designed by a licensed engineer and may have additional criteria for flow and water quality treatment requirements. Variations and/or alterations to the minimum BMP requirements require a licensed engineer's approval.
- Protect culvert outlets from erosion by rock lining the downstream and extending up the channel sides above the maximum tailwater elevation.
- Standard wing walls, tapered outlets, and paved channels should also be considered when appropriate for permanent outlet protection.
- With low flows, grass-lined channels (refer to Ecology BMP C201) can be an effective alternative for lining material.
- Blankets (refer to BMP E1.15: Mulching, Matting, and Compost Blankets in *Volume 2*) or riprap channel lining (refer to Ecology BMP C202) provide suitable options for lining materials.
- The following guidelines shall be used for outlet protection with riprap:
  - For outlets at the base of steep slope pipes (pipe slope greater than 10 percent), use an engineered energy dissipater
  - Filter fabric or erosion control blankets should be used under riprap to prevent scour and channel erosion. Refer to BMP E1.15: Mulching, Matting, and Compost Blankets in *Volume 2*.

## *Maintenance*

Check for evidence of erosion, scour, or channeling. Rock may need to be added if sediment builds up in the pore spaces of the outlet pad. Vegetation, erosion control blankets, or rock pads may need replacement. Partial blocking of an outlet with a protective measure is not allowed unless designed by a licensed engineer.



## E-7. Liners

Liners discussed in this section are intended to reduce the likelihood that pollutants in stormwater will reach groundwater when treatment BMPs are constructed or protect surrounding areas from seepage when necessary. In addition to groundwater protection considerations, some facility types require permanent standing water for proper functioning. An example is the first cell of a wet pond.

There are three types of liners:

1. **Treatment liners** amend the soil with materials that treat stormwater before it reaches more freely draining soils. They have slow rates of infiltration, generally less than 2.4 inches per hour, but not as slow as low permeability liners. Treatment liners may use in-place native soils or imported soils, provided that the design criteria outlined below are met.
2. **Low permeability liners** reduce infiltration to a very slow rate, generally less than 0.02 inch per hour. These types of liners are often used for industrial or commercial sites with a potential for high pollutant loading in the stormwater runoff. Low permeability liners may be constructed from compacted till, clay, or concrete. Till liners are preferred because of their general resilience and ease of maintenance.
3. **Impermeable liners** prevent the transmission of water between the BMP and native soils. Impermeable liners shall be used when BMPs are constructed in areas where infiltration is not permitted or is discouraged (e.g., landslide-prone areas or in contaminated soils). Impermeable liners shall be constructed from geomembrane.

Table E-2 shows the type of liner required for use with various treatment BMPs (detention, non-infiltrating, and pretreatment BMPs). Other liner configurations may be used with prior approval from the Director.

Liners shall be placed over the bottom and/or sides of the BMP as indicated in Table E-2.

When placing a liner for water quality treatment, areas above the treatment volume that are required to pass flows greater than the water quality treatment flow (or volume) need not be lined. However, the lining shall be extended to the top of the interior side slope and be anchored if it cannot be permanently secured by other means.

**Table E.2. Lining Types Required by BMP Type.**

<b>BMP</b>	<b>Area to be Lined</b>	<b>Type of Liner Required</b>
Presettling basin	Bottom and sides	Low permeability liner, treatment liner, or impermeable liner
Wet pond	First cell: bottom and sides to WQ design water surface	Low permeability liner, treatment liner, or impermeable liner
	Second cell: bottom and sides to WQ design water surface	Treatment liner
Combined detention/non-infiltrating BMP	First cell: bottom and sides to WQ design water surface	Low permeability liner, treatment liner, or impermeable liner
	Second cell: bottom and sides to WQ design water surface	Treatment liner
Stormwater wetland	Bottom and sides, both cells	Low permeability liner or impermeable liner
Sand filter basin	Required if over a critical aquifer recharge area, otherwise not required. Refer to <i>Volume 3, Section 5.8.5.</i>	Low permeability line, treatment liner, or impermeable liner
Sand filter vault	Not applicable	No liner needed
Linear sand filter	Not applicable if in vault	No liner needed
	Bottom and sides of presettling cell if not in vault	Low permeability liner, treatment liner, or impermeable liner
Media filter (in vault)	Not applicable	No liner needed
Wet vault	Not applicable	No liner needed
Non-infiltrating bioretention	Bottom and sides	Low permeability liner or impermeable liner
Open bottom or open sided detention products (e.g., arch pipe, modular plastic tanks, etc.)	Bottom and sides	Low permeability liner or impermeable liner

## Notes

- <sup>a</sup> The Director may approve native soils as a low permeability liner based on measured infiltration rates and the recommendation of a licensed professional.
- <sup>b</sup> The Director may also require impermeable liner based on infiltration setbacks or site constraints.

### *Design Criteria for Treatment Liners*

This section presents the design criteria for treatment liners.

- A 2-foot-thick layer of soil with a minimum organic content of 1 percent AND a minimum cation exchange capacity (CEC) of 5 milliequivalents/100 grams can be used as a treatment layer beneath a water quality or detention BMP.
- To demonstrate that in-place soils meet the above criteria, one sample per 1,000 square feet of BMP area shall be tested. Each sample shall be a composite of subsamples collected throughout the depth of the treatment layer (usually 2 to 6 feet below the expected BMP invert).

- Typically, side wall seepage is not a concern if the seepage flows through the same stratum as the bottom of the treatment BMP. However, if the treatment soil is an engineered soil or has very low permeability, the potential to bypass the treatment soil through the side walls may be significant. In those cases, the treatment BMP side walls should be lined with at least 18 inches of treatment soil, as described above, to prevent untreated seepage. This lesser soil thickness is based on unsaturated flow as a result of alternating wet-dry periods. Approved continuous simulation models must be run using the “No infiltration” option through the sidewalls if one sidewall is impervious unless the model can limit infiltration only to the unlined portion of the perimeter.
- Organic content shall be measured on a dry weight basis using ASTM D2974.
- Cation exchange capacity (CEC) shall be tested using EPA laboratory method 9081.
- Certification by a soils testing laboratory that imported soil meets the organic content and CEC criteria above shall be provided to the City.
- The liner shall extend vertically to the water quality design water surface elevation plus 6 inches at the minimum.

### *Design Criteria for Low Permeability Liners*

This section presents the design criteria for each of the following four low permeability liner options: compacted till liners, clay liners, and concrete liners. For low permeability liners, the following criteria apply:

- Where the seasonal high groundwater elevation is likely to contact a low permeability liner, liner buoyancy may be a concern. In these instances, use of a low permeability liner shall be designed by a geotechnical engineer.
- Where grass is planted over a low permeability liner per the BMP design, a minimum of 6 inches of topsoil of sufficient organic content and depth or compost-amended native soil shall be placed over the liner in the area to be planted. Native underlying soils may be suitable for planting if amended per Soil Amendment BMP requirements in *Volume 3, Section 5.1*. Twelve inches of cover is preferred.
- Low permeability liners shall extend vertically to the design water surface elevation plus 6 inches at a minimum. For bioretention, the design water surface elevation shall be the 25-year water surface elevation.

### *Compacted Till Liners*

- Liner thickness shall be 18 inches after compaction.
- Soil shall be compacted to 95 percent minimum dry density, modified proctor method (ASTM D-1557).
- A different depth and density sufficient to slow the infiltration rate to  $2.4 \times 10^{-5}$  inches per minute may also be used instead of the above criteria if designed by a geotechnical engineer.
- Soil shall be placed in maximum 6-inch lifts.
- Soils shall meet the gradation outlined in Table E-3 unless otherwise designed by a geotechnical engineer.

**Table E.3. Compacted Till Liners.**

Sieve Size	Percent Passing
6-inch	100
4-inch	90
#4	70 – 100
#200	20

### *Clay Liners*

- Liner thickness shall be 12 inches after compaction.
- Clay shall be compacted to 95 percent minimum dry density, modified proctor method (ASTM D-1557).
- A different depth and density sufficient to slow the infiltration rate to  $2.4 \times 10^{-5}$  inches per minute may also be used instead of the above criteria, if designed by a geotechnical engineer and approved by the Director.
- Plasticity index shall not be less than 15 percent (ASTM D-423, D-424).
- Liquid limit of clay shall not be less than 30 percent (ASTM D-2216).
- Clay particles passing shall not be less than 30 percent (ASTM D-422).
- The slope of clay liners shall be restricted to 3H:1V for all areas requiring soil cover; otherwise, the soil layer shall be stabilized by another method so that soil slippage into the BMP does not occur. Any alternative soil stabilization method shall take maintenance access into consideration.

### *Concrete Liners*

- Concrete liners may also be used for sedimentation chambers, for sedimentation and filtration basins less than 1,000 square feet in area, and non-infiltrating bioretention. Concrete shall be 5-inch thick Class 3000 or better and shall be reinforced by steel wire mesh. The steel wire mesh shall be 6 gage wire or larger and 6-inch by 6-inch mesh or smaller. An "Ordinary Surface Finish" is required per City of Seattle Standard Specification 6-02.3(14). When the underlying soil is clay or has an unconfined compressive strength of 0.25 ton per square foot or less, the concrete shall have a minimum 6-inch compacted aggregate base consisting of coarse sand and river stone, crushed stone or equivalent with diameter of 0.75 to 1 inch. Where visible, the concrete shall be inspected annually and all cracks shall be sealed.
- Portland cement liners are allowed irrespective of BMP size, and shotcrete may be used on slopes. However, specifications shall be designed by a licensed engineer who certifies the liner against cracking or losing water retention ability under expected conditions of operation, including BMP maintenance operations. Weight of maintenance equipment can be up to 80,000 pounds when fully loaded.
- Asphalt concrete may not be used for liners due to its permeability to many organic pollutants.
- If grass is to be grown over a concrete liner, slopes shall be no steeper than 5H:1V to prevent the top dressing material from slipping. Textured liners may be used on slopes up to 3H:1V upon recommended design by a geotechnical engineer that the top dressing will be stable for all site conditions, including maintenance.

## *Design Criteria for Impermeable Liners*

### *Geomembrane Liners*

- Geomembrane liners shall be ultraviolet (UV) light resistant and have a minimum thickness of 30 mils. A thickness of 40 mils shall be used in areas of maintenance access or where heavy machinery will be operated over the membrane.
- The geomembrane fabric shall be protected from puncture, tearing, and abrasion by installing geotextile fabric on the top of and beneath the geomembrane. The geotextile fabric shall have a high survivability per the WSDOT Standard Specifications Section 9-33 Construction Geotextile. Equivalent methods for protecting the geomembrane liner may be permitted, subject to approval by Director. Equivalency will be based on the ability of the fabric to protect the geomembrane from puncture, tearing, and abrasion.
- Geomembranes shall be bedded according to the manufacturer's recommendations.
- Liners shall be covered with minimum of 12 inches of top dressing. Top dressing shall include 6 inches of crushed rock immediately over the liner to mark the location of the liner for future maintenance operations. As an alternative to crushed rock, orange plastic "safety fencing" or another highly-visible, continuous marker may be embedded 6 inches above the membrane to alert maintenance workers of the liner below.
- If possible, liners should be of a contrasting color so that maintenance workers are aware of any areas where a liner may have become exposed when maintaining the BMP.
- Non-textured geomembrane liners shall not be used on slopes steeper than 5H:1V to prevent the top dressing material from slipping. Textured liners may be used on slopes up to 3H:1V upon design by a geotechnical engineer that the top dressing will be stable for all site conditions, including maintenance.
- Geomembrane liners used to control seepage shall be joined using heat-fusion or equivalent, and include boots around all pipe and structure penetrations.
- Geomembrane liners shall extend vertically to the design water surface elevation plus 6 inches at a minimum. For bioretention, the design water surface elevation shall be the 25-year water surface elevation.



## E-8. Geotextiles

The following recommended applications are provided courtesy of Tony Allen (Geotechnical Engineer-WSDOT) with references provided to the relevant tables in the City of Seattle Standard Specifications:

- For sand filter drain strip between the sand and the drain rock or gravel layers, use Geotextile Properties for Underground Drainage, moderate survivability, Class A, from Tables 1 and 2 in the City of Seattle Standard Specifications 9-37.
- For sand filter matting located immediately above the impermeable liner and below the drains, the function of the geotextile is to protect the impermeable liner by acting as a cushion. The specification provided in Table 4 in the City of Seattle Standard Specifications 9-37 shall be used to specify survivability properties for the liner protection application. Table 2 in the City of Seattle Standard Specifications 9-37, Class C shall be used for filtration properties. Only nonwoven geotextiles are appropriate for the liner protection application.
- For infiltration BMPs, use Geotextile for Underground Drainage, low survivability, Class C, from Tables 1 and 2 in the City of Seattle Standard Specifications 9-37.
- For a sand bed cover, a geotextile fabric is placed exposed on top of the sand layer to trap debris brought in by the stormwater and to protect the sand, facilitating easy cleaning of the surface of the sand layer. A polyethylene or polypropylene geonet shall be used in lieu of geotextile fabric. The geonet material shall have high UV resistance (90 percent or more strength retained after 500 hours in the weatherometer, ASTM D4355), and high permittivity (ASTM D4491,  $0.8 \text{ sec}^{-1}$  or more) and percent open area (CWO-22125, 10 percent or more). Tensile strength shall be on the order of 200 pounds grab (ASTM D4632) or more.
- For above and below a geomembrane liner, the geotextile fabric shall be Geotextile for Separation per the COS Standard Specifications Section 9-37 Construction Geotextile.





## E-9. Plant Lists for Bioretention, Biofiltration Swales, Sand Filters, and Wet Ponds

The following plant lists were developed as a guide for bioretention (infiltrating and non-infiltrating), biofiltration swales, sand filters, and wet ponds. For information regarding planting for other BMPs, refer to *Volume 3, Chapter 5*. More stringent requirements have been developed for BMPs sited in the right-of-way and can be found in the Seattle Right-of-Way Improvements Manual.

The following design principles should be considered during plant selection:

- Select plants to minimize irrigation and maintenance needs. Coordinate planting design, whenever possible, with maintenance staff.
- Where appropriate, use regionally native species.
- Design a planting plan with a goal of achieving a minimum of 80 percent evergreen groundcover. Evergreen groundcover helps trap sediment and protects soil and infiltration rates during the wet season.
- Consider biodiversity of species, including a minimum of three to five species for planting plans for small BMPs, and increasing species diversity where possible. Species and genetic diversity increase resilience and the ability of a BMP to adapt during varying site conditions.
- Incorporate pollinator, bird, and wildlife species into planting plans where possible. Maximize various seasonal habitat function. For example, flowering plants should bloom three of the four seasons. Planting plans for BMPs adjacent to natural areas should include trees, shrubs, and groundcover that provide habitat value and support.

### *Bioretention*

The Seattle Right-of-Way Improvements Manual establishes height limits for non-street tree plantings in rights-of-way. Maximum plant height within 30 feet of an intersection (as measured from the corner of the curb) is 24 inches. Elsewhere in the right-of-way, plantings are allowed to be 30 inches with the exception of accent shrubs as directed.

The following planting zone codes apply to Tables E.4 through E.19:

- Zone 1: designation for plants that are used for water quality in the bottoms of bioretention BMPs
- Zone 2: designation for plants that are used for water quality in the lower slopes/wetted/ponded area of bioretention BMPs
- Zone 3: species appropriate for planting at the tops and upper slopes of bioretention BMPs that are used as a border and as accents along the sidewalk, including vertical and accent plants and trees
- Zone 4: low, durable plants (under 24 inches) that are used in sight clearance areas or as accents at the edge of the BMP
- Zone 5: designation for steppable plants used in the crossing zones and access areas along the curb – these plants may need to tolerate foot traffic, depending on their location

The following operations and maintenance/special needs code (O&M code) apply to Tables E.4 through E.10:

- A = Cut back perennials to 3 inches above ground in fall (October/November).
- B = Leave foliage and seedheads for winter interest and cut back if foliage collapses. Cut back in spring (Mid-January to Mid-March) before new growth emerges.
- C = Hand-rake in spring (Mid-January to Mid-March) before new growth emerges. Cut back to ground or thin every 2 to 3 years as needed.
- DS = Deadhead perennials in spring/summer to encourage reblooming and for neater appearance. Deadheading not required for function.
- DF = Deadhead perennials in fall for neater appearance and to prevent resowing. Deadheading not required for function.
- E = Cut back or prune of over sidewalk or clear zones. Remove deadwood anytime fall to spring.
- F = May need replacing every 5+/- years. (Replacement not required if vegetation coverage meets requirements)
- G = May need dividing every few years. Reasons for division include dieback in center and to increase coverage.

**Table E.4. Part Shade List.**

EG	DT	NWN	Height from Ground	Scientific Name	Common Name	Planting Zone	Suggested Size/ Spacing	Urban Frontage	Exposure	Design Comments	O&M Code	Additional O&M Comments
SEMI			<24"	<i>Abelia x grandiflora</i> 'Prostrata'	Prostrate white abelia	3, 4	1 Gal./30" o.c.	UF	☀, ∅		E	
	DT		18"–30"	<i>Aster divaricatus</i>	White wood aster	3	1 Gal./24" o.c.		∅		B	
			<24"	<i>Carex elata</i> 'Bowles Golden'	Bowles Golden sedge	1, 2	10 Cu. In. Plug/ 9" o.c.	UF	☀, ∅	Limit to areas of approx. 36"x36"	B	
EG			<24"	<i>Carex laxiculmis</i> 'Hobb'	Bunny Blue sedge	1, 2	10 Cu. In. Plug/ 9" o.c.	UF	∅		C	
EG	DT	NWN	24"–48"+	<i>Carex obnupta</i>	Slough sedge	1, 2	10 Cu. In. Plug/ 9" o.c.		☀, ∅	Do not intermix with other emergents. Do not plant near intersections. Drought tolerant wetland native.	C	Can be sheared more frequently if overcrowding other occurs. May require supplementary irrigation during prolonged dry periods.
		NWN	24"–36"	<i>Carex stipata</i>	Beaked sedge	1, 2	10 Cu. In. Plug/ 9" o.c.	UF	☀, ∅	Wetland native species. Limit to areas of approx. 36"x36"	B	May require supplementary irrigation during prolonged dry periods. Will die out if mowed or trimmed too regularly.
EG			24"–30"	<i>Carex testacea</i> or <i>dispacea</i>	Orange New Zealand or Autumn Sedge	1, 2	10 Cu. In. Plug/ 9" o.c.	UF	☀, ∅		C	

Table E.4 (continued). Part Shade List.

EG	DT	NWN	Height from Ground	Scientific Name	Common Name	Planting Zone	Suggested Size/ Spacing	Urban Frontage	Exposure	Design Comments	O&M Code	Additional O&M Comments
	DT		24"–36"	<i>Cornus sericea</i> 'Kelseyii'	Kelsey redstem dogwood	1, 2, 3	2 Gal./30" o.c.	UF	☀, ∅		E	Stems fragile until established.
		NWN	24"–40"	<i>Deschampsia caespitosa</i>	Tufted Hair Grass	1, 2	10 Cu. In. Plug/ 9" o.c.		☀, ∅	Native facultative species; does well in wet and dry conditions. Limit to areas of approx. 36"x36"	B	LOS A: For neater appearance, trim seedheads.
			<24"	<i>Deschampsia flexuosa</i> 'Aurea'	Golden crinkled hair grass	1, 2	10 Cu. In. Plug/ 9" o.c.	UF	☀, ∅	Limit to areas of approx. 36"x36"	B	LOS A: For neater appearance, trim seedheads.
			24"	<i>Fuchsia magellanica</i> 'Aurea'	Dwarf Hardy Fuchsia	3, 4	2 Gal./30" o.c.	UF	∅		E	
			<24"	<i>Galanthus elwesii</i>	Giant Snowdrop	3, 4	Bulb	UF	☀, ∅	Prefers part shade. May be short-lived if too hot.	F	
EG	DT	NWN	24"–36"+	<i>Gaultheria shallon</i>	Salal	3	1 Gal./24" o.c.	UF	☀, ∅		E	If height is a problem, Salal can be sheared with hedge trimmer.
EG			<24"	<i>Geum flore-plena</i> 'Blazing Sunset'	Blazing Sunset Avens	3, 4	1 Gal./10" o.c.	UF	☀, ∅		DS	
			24"–36"	<i>Iris pallida</i> 'Variegata'	Variegated sweet iris	3	1 Gal./18" o.c.	UF	☀, ∅		A	

Table E.4 (continued). Part Shade List.

EG	DT	NWN	Height from Ground	Scientific Name	Common Name	Planting Zone	Suggested Size/ Spacing	Urban Frontage	Exposure	Design Comments	O&M Code	Additional O&M Comments
EG	DR	NWN	<24"	<i>Mahonia repens</i>	Creeping Oregon holly-grape	3, 4	1 Gal./18" o.c.	UF	☀, ∅		E	
EG	DR	NWN	24"–36"	<i>Polystichum munitum</i>	Western swordfern	3	2 Gal./24" o.c.	UF	∅	Limit to group of 3	B	Cut back before fronds appear.
EG	DT		24"–36"	<i>Prunus laurocerasus</i> 'Mount Vernon'	Mount Vernon cherry laurel	3	2 Gal./24" o.c.	UF	☀, ∅		E	
EG			36"	<i>Rhododendron</i> Yak Hybrids, such as 'Ken Janeck'	Yak Hybrid	3	2 Gal./24" o.c.	UF	☀, ∅	Several other Yak hybrids stay low and neat	E	LOS A: May produce more flowers if pruned and/or deadheaded after blooming.
EG	DT		<24"	<i>Sarcococca hookeriana humilis</i>	Himalayan Sweet Box	3	2 Gal./24" o.c.	UF	∅	Winter fragrance	E	
EG			30"	<i>Taxus</i> 'Emerald Spreader'	Emerald Spreader Yew	3	2 Gal./24" o.c.	UF	☀, ∅		E	
		NWN	<24"	<i>Tolmiea menziesii</i>	Youth on Age	1, 2, 3	1 Gal./10" o.c.		∅		G	
EG	DT		<24"	<i>Veronica liwanensis</i>	Speedwell	3, 4, 5	4" Pot/12" o.c.	UF	☀, ∅		E	LOS A: Cut back for neater appearance.

EG = Evergreen

SEMI = Semi-evergreen

DT = Drought Tolerant

DR = Drought Resistant

NWN = Northwest Natives or Cultivars

UF = Urban Frontage (Mixed Use/Commercial) appropriate plants

☀ = Full Sun

∅ = Part Sun/Part Shade

LOS = Level of Service

Table E.5. Sun List.

EG	DT	NWN	Height from Ground	Scientific Name	Common Name	Planting Zone	Suggested Size/ Spacing	Urban Frontage	Exposure	Design Comments	O&M Code	Additional O&M Comments
SEMI			<24"	<i>Abelia x grandiflora</i> 'Prostrata'	Prostrate white abelia	3, 4	1 Gal./30" o.c.	UF	☀, ∅		E	
	DT		<24"	<i>Aster novi-belgii</i> 'Wood's Blue'	Wood's Blue New York Aster	3	1 Gal./18" o.c.	UF	☀		B, G	
			24"–36"	<i>Carex muskingumensis</i>	Palm sedge	1, 2	10 Cu. In. Plug/ 9" o.c.	UF	☀, ∅	Limit to areas of approx. 36"x36"	B	
			24"–36"	<i>Carex elata</i> 'Bowles Golden'	Bowles Golden Sedge	1, 2, 3	10 Cu. In. Plug/ 9" o.c.	UF	☀, ∅	Limit to areas of approx. 36"x36"	B	
			24"–36"+	<i>Carex grayi</i>	Gray's sedge	1, 2	10 Cu. In. Plug/ 9" o.c.	UF	☀, ∅	Limit to areas of approx. 36"x36"	B	
		NWN	24"–36"	<i>Carex stipata</i>	Beaked sedge	1, 2	10 Cu. In. Plug/ 9" o.c.	UF	☀, ∅	Wetland native species Limit to areas of approx. 36"x36"	B	May require supplementary irrigation during prolonged dry periods. Will die out if mowed or trimmed too regularly.
EG			24"–30"	<i>Carex testacea</i> or <i>dispacea</i>	Orange New Zealand or Autumn Sedge	1, 2, 3	10 Cu. In. Plug/ 9" o.c.	UF	☀, ∅		C	

Table E.5 (continued). Sun List.

EG	DT	NWN	Height from Ground	Scientific Name	Common Name	Planting Zone	Suggested Size/ Spacing	Urban Frontage	Exposure	Design Comments	O&M Code	Additional O&M Comments
	DT		24"–36"	<i>Caryopteris incana</i> 'Sunshine Blue'	Sunshine Blue Bluebeard	3, 4	1 Gal./18" o.c.	UF	☀		B OR DF	Cut back to about 18" above the ground or by half in early spring after new leaves are visible
	DT	NWN	24"–30"	<i>Cornus sericea</i> 'Kelseyii'	Kelsey redstem dogwood	1, 2, 3	2 Gal./30" o.c.	UF	☀, ∅		E	Stems fragile until established.
		NWN	24"–40"	<i>Deschampsia caespitosa</i>	Tufted Hair Grass	1, 2	10 Cu. In. Plug/ 9" o.c.		☀, ∅	Native facultative species; does well in wet and dry conditions. Limit to areas of approx. 36"x36"	B	LOS A: For neater appearance, trim seedheads.
			<24"	<i>Deschampsia flexuosa</i> 'Aurea'	Golden crinkled hair grass	1, 2	10 Cu. In. Plug/ 9" o.c.	UF	☀, ∅	Limit to areas of approx. 36"x36"	B	LOS A: For neater appearance, trim seedheads.
	DT		24"–36"	<i>Echinacea purpurea</i>	Coneflower	3	1 Gal./18" o.c.	UF	☀		B	LOS A: For neater appearance, deadhead.
EG	DT	NWN	24"–36"+	<i>Gaultheria shallon</i>	Salal	3	1 Gal./24" o.c.	UF	☀, ∅		E	If height is a problem, Salal can be sheared with hedge trimmer.

Table E.5 (continued). Sun List.

EG	DT	NWN	Height from Ground	Scientific Name	Common Name	Planting Zone	Suggested Size/ Spacing	Urban Frontage	Exposure	Design Comments	O&M Code	Additional O&M Comments
EG	DT		24"–36"	<i>Hebe</i> 'Red Edge'	Red Edge Hebe	3, 4	1 Gal./24" o.c.		☀		E	
	DT		<24"	<i>Hemerocallis</i> – Later Flowering Varieties	Later Flowering Daylily varieties	3, 4	1 Gal./15" o.c.	UF	☀, ∅	Later flowering varieties are not as susceptible to Daylily gall midge.	A	LOS A: For neater appearance, deadhead.
EG	DT		<24"	<i>Geranium x cantabrigiense</i> 'Cambridge'	Perennial Geranium	3, 4	1 Gal./15" o.c.	UF	☀, ∅		B	
SEMI	DT		<24"	<i>Helianthemum</i> 'Henfield Brilliant'	Sunrose	3, 4	1 Gal./10" o.c.	UF	☀		B	
EG	DT		24"–36"	<i>Helictotrichon sempervirens</i>	Blue oat grass	3	1 Gal./18" o.c.	UF	☀		C	
EG	DT		<24"	<i>Ilex x 'Mondo'</i>	Little Rascal Holly	3, 4	1 Gal./18" o.c.	UF	☀, ∅		E	
EG	DT	NWN	<24"	<i>Iris douglasiana</i>	Pacific Coast Iris	3, 4	1 Gal./18" o.c.	UF	☀	Many colors available.	G	LOS A: For neater appearance, cut back dead leaves and flower stalks.



Table E.5 (continued). Sun List.

EG	DT	NWN	Height from Ground	Scientific Name	Common Name	Planting Zone	Suggested Size/ Spacing	Urban Frontage	Exposure	Design Comments	O&M Code	Additional O&M Comments
SEMI	DT	NWN	<24"	<i>Iris missouriensis</i>	Rocky Mountain Iris	1, 2	1 Gal./12" o.c.	UF	☀		G	May require supplementary irrigation during prolonged dry periods. LOS A: For neater appearance, cut back dead leaves and flower stalks.
			24"–36"	<i>Iris sibirica</i> cultivars such as 'Bennerup Blue'	Siberian Iris	1, 2, 3	1 Gal./18" o.c.	UF			G	LOS A: For neater appearance, cut back dead leaves and flower stalks.
EG	DT	NWN	<24"	<i>Juncus balticus</i>	Baltic rush	1, 2	10 Cu. In. Plug/ 9" o.c.	UF	☀	Wetland native species. Do not use in hot ROW locations.	C	May require supplementary irrigation during prolonged dry periods. Will die off if sheared too frequently. LOS A: Can be sheared more frequently if foliage collapses.

Table E.5 (continued). Sun List.

EG	DT	NWN	Height from Ground	Scientific Name	Common Name	Planting Zone	Suggested Size/ Spacing	Urban Frontage	Exposure	Design Comments	O&M Code	Additional O&M Comments
EG		NWN	24"–36"	<i>Juncus effusus</i> 'Quartz Creek'	Quartz Creek Soft Rush	1, 2	10 Cu. In. Plug/ 9" o.c.	UF	☀, ∅		C	LOS A: Can be sheared more frequently if foliage collapses.
EG	DT		<24"	<i>Juniperus conferta</i> 'Blue Pacific'	Blue Pacific Shore juniper	3, 4	1 Gal./3' o.c.	UF	☀		E	
	DT	NWN	36"	<i>Leersia oryzoides</i>	Rice Cutgrass	1, 2	10 Cu. In. Plug/ 9" o.c.		☀	Limit to areas of approx. 36"x36"	B	LOS A: For neater appearance, trim seedheads.
EG	DR	NWN	<24"	<i>Mahonia repens</i>	Creeping Oregon holly-grape	3, 4	1 Gal./18" o.c.	UF	☀, ∅		E	
	DR		36"	<i>Miscanthus sinensis</i> 'Little Kitten'	Little Kitten Maiden Grass	3	1 Gal./15" o.c.	UF	☀		B	
	DT		30"	<i>Nepetax</i> 'Walker's Low'	Catmint	3	1 Gal./18" o.c.	UF	☀, ∅		B	
EG			36"	<i>Rhododendron</i> Yak Hybrids, such as 'Ken Janeck'	Yak Hybrid	3, 4	2 Gal./30" o.c.	UF	☀, ∅	Several other Yak hybrids stay low and neat	E	LOS A: May produce more flowers if pruned and/or deadheaded after blooming
	DT		24"–36"	<i>Rudbeckia fulgida</i> 'Goldsturm'	Black-Eyed Susan	3, 4	1 Gal./18" o.c.	UF	☀	Late season color accent.	A OR B	

Table E.5 (continued). Sun List.

EG	DT	NWN	Height from Ground	Scientific Name	Common Name	Planting Zone	Suggested Size/ Spacing	Urban Frontage	Exposure	Design Comments	O&M Code	Additional O&M Comments
	DT		<24"	<i>Sedum</i> 'Autumn Joy' or 'Matrona'	Stonecrop	3, 4	1 Gal./12" o.c.	UF	☀		G	LOS A: Can be cut back by half in June to prevent flopping.
	DT	NWN	<24"	<i>Solidago canadensis</i> 'Baby Gold' or <i>Solidago hybrida</i> 'Dansolitem'	Baby Gold or Little Lemon Goldenrod	3, 4	1 Gal./18" o.c.		☀	Late season color accent.	A	
		NWN	24"–48"	<i>Spiraea betulifolia</i> or <i>Spiraea betulifolia</i> 'Tor'	Birchleaf spirea	3	1 Gal./24" o.c.	UF	☀		E	
EG	DT	NWN	<24"	<i>Sedum oreganum</i>	Stonecrop	3, 4, 5	4" Pot/12" o.c.	UF	☀	Tolerates hot dry sites.	E	
EG	DT		<24"	<i>Teucrium chamaedrys</i>	Wall germander	3, 4	1 Gal./18" o.c.	UF	☀		E	LOS A: For neater appearance trim spent flowers in spring.
EG	DT		<24"	<i>Thymus serpyllum</i> 'Elfin'	Elfin creeping thyme	3, 4, 5	4" Pot/12" o.c.	UF	☀		F	

EG = Evergreen

SEMI = Semi-evergreen

DT = Drought Tolerant

DR = Drought Resistant

NWN = Northwest Natives or Cultivars

UF = Urban Frontage (Mixed Use/Commercial) appropriate plants

☀ = Full Sun

∅ = Part Sun/Part Shade

LOS = Level of Service

Table E.6. Native List (Sun to Part Shade includes cultivars).

EG	DT	NWN	Height from Ground	Scientific Name	Common Name	Planting Zone	Suggested Size/ Spacing	Urban Frontage	Exposure	Design Comments	O&M Code	Additional O&M Comments
	DR	NWN	24"–36"	<i>Aquilegia formosa</i>	Western Columbine	3, 4	1 Gal./18" o.c.		☀, ∅		DF	
EG	DT	NWN	<24"	<i>Arctostaphylos uva-ursi</i> 'Massachusetts' or 'Pt. Reyes'	Kinnikinnick	3, 4	1 Gal./12" o.c.	UF	☀, ∅	Possible use at vertical wall or single use low accent. Requires approval by Project Manager and Maintenance prior to use.	E	
	DR	NWN	24"–36"	<i>Camus leichtlinii</i> or <i>Camus quamash</i>	Great Camus or Common Camus	3, 4	1 Gal./12" o.c.		☀, ∅	Plant for in groups for effect. Can be planted as a bulb	DF	
	DR	NWN	24"–48"	<i>Carex deweyana</i>	Dewey's sedge	1, 2	10 Cu. In. Plug/ 9" o.c.		☀, ∅	Grows best on side slopes. Limit to areas of approx. 36"x36"	B	Likely to need supplementary irrigation if planted in full sun.
EG	DT	NWN	24"–48"+	<i>Carex obnupta</i>	Slough sedge	1, 2	10 Cu. In. Plug/ 9" o.c.		☀, ∅	Drought tolerant wetland native. Do not intermix with other emergents. Do not plant near intersections	C	May require supplementary irrigation during prolonged dry periods. Can be sheared more frequently if overcrowding other occurs.

Table E.6 (continued). Native List (Sun to Part Shade includes cultivars).

EG	DT	NWN	Height from Ground	Scientific Name	Common Name	Planting Zone	Suggested Size/ Spacing	Urban Frontage	Exposure	Design Comments	O&M Code	Additional O&M Comments
	DT	NWN	24"–36"	<i>Carex pachystachya</i>	Chamisso sedge	1, 2	10 Cu. In. Plug/ 9" o.c.		☀, ∅	Grows best on side slopes. Limit to areas of approx. 36"x36"	B	
		NWN	24"–36"	<i>Carex stipata</i>	Beaked sedge	1, 2	10 Cu. In. Plug/ 9" o.c.	UF	☀, ∅	Limit to areas of approx. 36"x36"	B	May require supplementary irrigation during prolonged dry periods. Will die out if mowed or trimmed too regularly.
	DT	NWN	24"–30"	<i>Cornus sericea</i> 'Kelseyii'	Kelsey redstem dogwood	1, 2, 3	2 Gal./30" o.c.	UF	☀, ∅	Limit to areas of approx. 36"x36"	E	Stems fragile until established.
		NWN	24"–40"	<i>Deschampsia caespitosa</i>	Tufted Hair Grass	1, 2	10 Cu. In. Plug/ 9" o.c.		☀, ∅	Native facultative species; does well in wet and dry conditions. Limit to areas of approx. 36"x36"	B	LOS A: For neater appearance, trim seedheads.
	DT	NWN	<24"	<i>Erigeron peregrinus</i>	subalpine fleabane daisy	3, 4	1 Gal./12" o.c.	UF	☀		DF	
	DT	NWN	36"	<i>Festuca idahoensis</i>	Idaho fescue	3, 4	1 Gal./18" o.c.		☀		DF	
EG	DT	NWN	<24"	<i>Gaultheria ovatifolia</i>	Oregon wintergreen	3, 4	1 Gal./24" o.c.	UF	☀, ∅	If Gaultheria shallon is substituted see additional O&M notes	E	If height is a problem, can be sheared with hedge trimmer.

Table E.6 (continued). Native List (Sun to Part Shade includes cultivars).

EG	DT	NWN	Height from Ground	Scientific Name	Common Name	Planting Zone	Suggested Size/ Spacing	Urban Frontage	Exposure	Design Comments	O&M Code	Additional O&M Comments
EG	DT	NWN	<24"	<i>Iris douglasiana</i>	Pacific Coast Iris	3, 4	1 Gal./18" o.c.	UF	☀	Many colors available.	G	LOS A: For neater appearance, cut back dead leaves and flower stalks.
SEMI	DT	NWN	<24"	<i>Iris missouriensis</i>	Rocky Mountain Iris	1, 2	1 Gal./12" o.c.	UF	☀		G	LOS A: For neater appearance, cut back dead leaves and flower stalks.
EG	DT	NWN	<24"	<i>Juncus balticus</i>	Baltic rush	1, 2	10 Cu. In. Plug/ 9" o.c.	UF	☀	Wetland native species. Do not use in hot ROW locations.	C	May require supplementary irrigation during prolonged dry periods. Will die off if sheared too frequently. LOS A: Can be sheared more frequently if foliage collapses.

Table E.6 (continued). Native List (Sun to Part Shade includes cultivars).

EG	DT	NWN	Height from Ground	Scientific Name	Common Name	Planting Zone	Suggested Size/ Spacing	Urban Frontage	Exposure	Design Comments	O&M Code	Additional O&M Comments
EG	DT	NWN	24"–48"+	<i>Juncus effusus</i>	Common rush	1, 2	10 Cu. In. Plug/ 9" o.c.		☀, ∅	Only <i>Juncus effusus</i> var. <i>pacificus</i> is native. Other varieties of <i>Juncus effusus</i> , even cultivars, are invasive and are not recommended for use in stormwater facilities. Do not intermix with other emergents. Do not plant near intersections	C	
EG		NWN	<24"	<i>Juncus ensifolius</i>	Dagger-leaf rush	1, 2	10 Cu. In. Plug/ 9" o.c.	UF	☀, ∅	Limit to areas of approx. 36"x36"	B	Requires supplementary irrigation in summer to thrive.
EG	DT	NWN	<24"	<i>Juncus tenuis</i>	Path rush	1, 2	10 Cu. In. Plug/ 9" o.c.	UF	☀, ∅	Native facultative species; does well in wet and dry conditions.	C	
EG	DT	NWN	<24"	<i>Juniperus communis</i> 'Mondap'	Alpine carpet juniper	4	1 Gal./24" o.c.	UF	☀		E	May require supplementary irrigation in summer. May require pruning

Table E.6 (continued). Native List (Sun to Part Shade includes cultivars).

EG	DT	NWN	Height from Ground	Scientific Name	Common Name	Planting Zone	Suggested Size/ Spacing	Urban Frontage	Exposure	Design Comments	O&M Code	Additional O&M Comments
EG		NWN	36"	<i>Ledum glandulosum</i>	Pacific or trapper's tea	1, 2, 3	5 Gal./36" o.c.	UF	☀, ∅	Plant near the bottom of swale	E	
EG	DT	NWN	<24"	<i>Lewisia cotyledon</i> or cultivars	Siskiyou lewisia	3, 4	1 Gal./12" o.c.	UF	☀		E	
EG		NWN	36"	<i>Mahonia aquifolium</i> 'Orange Flame' or 'Compacta'	Compact tall Oregon grape	3	1 Gal./36" o.c.	UF	☀, ∅		E	
EG	DR	NWN	<24"	<i>Mahonia repens</i>	Creeping Oregon grape	3, 4	1 Gal./18" o.c.	UF	☀, ∅		E	
		NWN	24"–36"	<i>Mimulus guttatus</i>	Yellow monkey-flower	1, 2	1 Gal./18" o.c.		☀, ∅	Provides temporary color and habitat value. Will die back in late summer or winter but will reseed. Should not be used in large areas and relied upon for water quality treatment.	DF	
EG	DT	NWN	36"	<i>Pachistima myrsinites</i>	Oregon Boxwood	3	1 Gal./36" o.c.	UF	☀, ∅		E	
		NWN	<24"	<i>Potentilla fruticosa</i> 'Sunset'	Frosty potentilla	3, 4	2 Gal./30" o.c.	UF	∅		E	



**Table E.6 (continued). Native List (Sun to Part Shade includes cultivars).**

EG	DT	NWN	Height from Ground	Scientific Name	Common Name	Planting Zone	Suggested Size/ Spacing	Urban Frontage	Exposure	Design Comments	O&M Code	Additional O&M Comments
	DT	NWN	<24"	<i>Potentilla glandulosa</i> or <i>Potentilla gracilis</i>	Sticky cinquefoil or slender cinquefoil	3, 4	1 Gal./18" o.c.		☀, ∅		DF	
EG		NWN	24"–36"	<i>Polystichum imbricans</i> or <i>Polystichum lonchitis</i>	Narrow-leaf sword fern or Northern holly fern	3, 4	2 Gal./30" o.c.	UF	☀, ∅	If <i>Polystichum munitum</i> is substituted limit groups to 3 and prune yearly	B	Cut back before fronds appear.
	DT	NWN	<24"	<i>Solidago canadensis</i> 'Baby Gold' or <i>Solidago hybrida</i> 'Dansolitlem'	Baby Gold or Little Lemon Goldenrod	3, 4	1 Gal./18" o.c.		☀	Late season color accent.	A	
		NWN	24"–36"	<i>Spiraea betulifolia</i> or <i>Spiraea betulifolia</i> 'Tor'	Birchleaf spirea	3	1 Gal./24" o.c.	UF	☀		E	
EG	DT	NWN	<24"	<i>Sedum divergens</i>	Stonecrop	3, 4	4" Pot/12" o.c.	UF	☀, ∅	Tolerates hot dry sites.	E	LOS A: For neater appearance deadhead.
EG	DT	NWN	<24"	<i>Sedum oreganum</i>	Stonecrop	3, 4, 5	4" Pot/12" o.c.	UF	☀	Tolerates hot dry sites.	E	
EG	DT	NWN	24"–36"	<i>Xerophyllum tenax</i>	Bear grass	3	1 Gal/18" o.c.	UF	☀	Tolerates hot dry sites.	E	

EG = Evergreen

SEMI = Semi-evergreen

DT = Drought Tolerant

DR = Drought Resistant

NWN = Northwest Natives or Cultivars

UF = Urban Frontage (Mixed Use/Commercial) appropriate plants

☀ = Full Sun

∅ = Part Sun/Part Shade

LOS = Level of Service

Table E.7. Intersection and View Restriction Palette (under 24 inches in height).

EG	DT	NWN	Height from Ground	Scientific Name	Common Name	Planting Zone	Suggested Size/ Spacing	Urban Frontage	Exposure	Design Comments	O&M Code	Additional O&M Comments
			<24"	<i>Chrysanthemum</i> 'Peach Centerpiece' or 'Bienchen'	Peach Centerpiece or golden chrysanthemum	3, 4	1 Gal./15" o.c.		☀	Late season color accent.	B & G	Pull if scraggly.
	DT		<24"	<i>Coreopsis lanceolata</i> 'Sterntaler'	Tickseed	3, 4	1 Gal./15" o.c.	UF	☀		B & G	
	DT		24"–30"	<i>Cornus sericea</i> 'Kelseyii'	Kelsey redstem dogwood	1, 2, 3	1 Gal./30" o.c.	UF	☀, ∅	Plant in bottom areas for sightlines.	E	Stems fragile until established.
EG	DT		<24"	<i>Epimedium rubrum</i> or <i>sulphurescens</i>	Barrenwort	3, 4	4" Pot/12" o.c.	UF	∅	Part shade to shade only without irrigation.	B	Cut back before flower stalks appear.
EG	DT		<24"	<i>Euonymus fortunei</i> 'Interbolwi'	Blondy winter-creeper	3, 4	1 Gal./18" o.c.	UF	☀, ∅		E	
	DT		<24"	<i>Geranium</i> 'Gerwat' 'Rozanne'	Rozanne geranium	3, 4	1 Gal./24" o.c.		☀, ∅		A	LOS A: Can be sheared for neater appearance.
EG			<24"	<i>Geum flore pleno</i> 'Blazing Sunset'	Blazing Sunset Avens	3, 4	1 Gal./18" o.c.	UF	☀, ∅		DS	
EG			<24"	<i>Hebe</i> x 'Champion'	Champion Hebe	3, 4	1 Gal./18" o.c.	UF	☀, ∅		E	
SEMI	DT		<24"	<i>Helianthemum nummularium</i> 'Wisley Primrose'	Yellow Sunrose	3, 4	1 Gal./12" o.c.	UF	∅		B	

**Table E.7 (continued). Intersection and View Restriction Palette (under 24 inches in height).**

EG	DT	NWN	Height from Ground	Scientific Name	Common Name	Planting Zone	Suggested Size/ Spacing	Urban Frontage	Exposure	Design Comments	O&M Code	Additional O&M Comments
EG	DT		24"–36"	<i>Helictotrichon sempervirens</i>	Blue oat grass	3	1 Gal./18" o.c.	UF	∅	36" height only when in flower. Airy flowers. Groups of 3 maximum.	C	
EG	DT		<24"	<i>Ilex</i> x 'Mondo'	Little Rascal Holly	3, 4	1 Gal./18" o.c.	UF	☀, ∅		E	
EG		NWN	<24"	<i>Juncus effusus</i> 'Carmen's Japan'	Carmen's Japanese Rush	1, 2	10 Cu. In. Plug/ 9" o.c.	UF	☀, ∅		C	
EG			<24"	<i>Juncus effusus</i> 'Spiralis'	Corkscrew soft rush	1, 2	10 Cu. In. Plug/ 9" o.c.	UF	☀, ∅		C	LOS A: Can be sheared more frequently if foliage collapses.
EG			24"–30"	<i>Juncus patens</i> or <i>Juncus patens</i> 'Elk blue'	California gray rush	1, 2	10 Cu. In. Plug/ 9" o.c.	UF	☀, ∅	Resilient wetland species; can survive summer drought and winter inundation. Plant in bottom areas for sightlines	C	LOS A: Can be sheared more frequently if foliage collapses.
EG			<24"	<i>Liriope muscari</i> and cultivars	Lily Turf	3, 4	4" Pot/12" o.c.	UF	☀, ∅		C	OK to pull clumps for ease of weed control.
EG	DR	NWN	<24"	<i>Mahonia repens</i>	Creeping Oregon holly-grape	3	1 Gal./18" o.c.	UF	☀, ∅		E	

Table E.7 (continued). Intersection and View Restriction Palette (under 24 inches in height).

EG	DT	NWN	Height from Ground	Scientific Name	Common Name	Planting Zone	Suggested Size/ Spacing	Urban Frontage	Exposure	Design Comments	O&M Code	Additional O&M Comments
	DT		<24"	<i>Narcissus</i> 'Dutch Master' or 'King Alfred'	Daffodil	3, 4	Bulb/As Shown	UF	∅		DS	Cut back foliage in summer.
		NWN	<24"	<i>Potentilla fruticosa</i> 'Sunset'	Frosty potentilla	3, 4	2 Gal./30" o.c.	UF	∅		E	
EG	DT		<24"	<i>Veronica livanensis</i>	Speedwell	3, 4, 5	4" Pot/12" o.c.	UF	∅		E	LOS A: Cut back for neater appearance.

SEMI = Semi-evergreen

DT = Drought Tolerant

DR = Drought Resistant

NWN = Northwest Natives or Cultivars

UF = Urban Frontage (Mixed Use/Commercial) appropriate plants

☀ = Full Sun

∅ = Part Sun/Part Shade

LOS = Level of Service

**Table E.8. Vertical Shrubs and Accent Plants.**

EG	DT	NWN	Height from Ground	Scientific Name	Common Name	Planting Zone	Suggested Size/ Spacing	Urban Frontage	Exposure	Design Comments	O&M Code	Additional O&M Comments
		NWN	25'	<i>Amelanchier alnifolia</i>	Service Berry	1, 2, 3	Multi-stem, B&B, 5'-6' ht.		∅	Multi-stemmed native species. Can sucker and spread. Single stem species may be available if nursery prunes in advance.	E	May need windowing/ thinning.
			5'	<i>Cornus sanguinea</i> 'Midwinter Fire'	Midwinter Fire Dogwood	1, 2, 3	5 gal		☀, ∅		E	Prune 2/3 of all (older) branches to 8" above ground in March to keep in bounds and to maintain yellow twigs.
		NWN	6' to 8'	<i>Cornus sericea</i> 'Flaviramea'	Yellow-Twig Dogwood	1, 2, 3	5 gal		∅		E	Prune 2/3 of all (older) branches to 8" above ground in March to keep in bounds and to maintain red twigs.
			10'	<i>Hamamelis x intermedia</i> 'Pallida'	Witch Hazel	3	10 gal		☀, ∅	Vase-shaped open growing form	E	
			5'	<i>Hydrangea quercifolia</i> 'Pee Wee'	Oak-Leaf Hydrangea	3	5 gal		∅	Late summer flowers. Fall color. Bold leaves in winter.	E	May need windowing/ thinning.

Table E.8 (continued). Vertical Shrubs and Accent Plants.

EG	DT	NWN	Height from Ground	Scientific Name	Common Name	Planting Zone	Suggested Size/ Spacing	Urban Frontage	Exposure	Design Comments	O&M Code	Additional O&M Comments
EG			3'–4'	<i>Ilex glabra</i> 'Shamrock'	Inkberry	1, 2	5 gal.		☀, ∅		E	Female plants need a male pollinator to produce berries.
			3'–12'	<i>Ilex verticillata</i> and cultivated varieties	Winterberry	1, 2	5 gal.		☀, ∅		E	Female plants need a male pollinator to produce berries.
EG			8'–12'	<i>Mahonia</i> 'Arthur Menzies'	Ornamental Mahonia	3	5 gal		☀, ∅	Upright multi-stemmed.	E	
EG		NWN	6'–10'	<i>Mahonia aquifolium</i>	Oregon grape	3	5 gal		☀, ∅	Upright multi-stemmed.	E	
EG			5'	<i>Osmanthus</i> 'Goshiki'	Variegated Osmanthus	3	5 gal		∅	4' wide. Considered dwarf. New foliage is colorful.	E	May need windowing/ thinning.
			6'	<i>Physocarpus opulifolius</i> 'Nanus'	Dwarf Ninebark	1, 2, 3	5 gal		☀, ∅	Even dwarf form may be tall and wide.	E	May need windowing/ thinning.
EG			4'	<i>Pieris japonica</i> 'Little Heath'	Little Heath Lily of the Valley	3	3 gal.		∅	Variegated foliage that emerges pink in spring. Flowers in winter	E	May need windowing/ thinning.
		NWN	8'	<i>Ribes sanguineum</i> and cultivated varieties	Red Flowering Currant	3	5 gal		∅	Attracts hummingbirds	E	May need windowing/ thinning.

**Table E.8 (continued). Vertical Shrubs and Accent Plants.**

EG	DT	NWN	Height from Ground	Scientific Name	Common Name	Planting Zone	Suggested Size/ Spacing	Urban Frontage	Exposure	Design Comments	O&M Code	Additional O&M Comments
			15'–20'	<i>Salix integra</i> 'Hakuro Nishiki'	Dappled Willow	1, 2, 3	5 gal.		☀, ∅		E	Specify tree form; Prune to ground every other year to keep smaller
			8'–15'	<i>Sambucus nigra</i> 'Gerda'	Black Beauty Black Elder	1, 2, 3	5 gal.		☀, ∅		E	
		NWN	6'	<i>Symphoricarpos albus</i>	Snowberry	1, 2, 3	5 gal		☀, ∅	Forms thickets.	E	May need windowing/ thinning.
			6'	<i>Taxodium distichum</i> 'Peve Minaret'	Dwarf bald cypress	1, 2, 3					E	
EG		NWN	6'	<i>Vaccinium ovatum</i>	Evergreen Huckleberry	1, 2, 3	5 gal		☀, ∅		E	
			6'	<i>Vaccinium</i> 'Sunshine Blue'	Blueberry	3	5 gal		☀, ∅	Self-pollinating edible fruits. Good fall color.	E	
EG			10'	<i>Viburnum cinnamomifolium</i>	Cinnamon Viburnum	3	10 gal		☀, ∅		E	May need windowing/ thinning.
		NWN	7'–12'	<i>Viburnum edule</i>	Highbush cranberry	1, 2, 3	5 gal.		☀, ∅		E	

SEMI = Semi-evergreen

DT = Drought Tolerant

DR = Drought Resistant

NWN = Northwest Natives or Cultivars

UF = Urban Frontage (Mixed Use/Commercial) appropriate plants

☀ = Full Sun

∅ = Part Sun/Part Shade

LOS = Level of Service

Table E.9. Groundcovers if Low Profile is Required.

EG	DT	NWN	Height from Ground	Scientific Name	Common Name	Planting Zone	Suggested Size/ Spacing	Urban Frontage	Exposure	Design Comments	O&M Code	Additional O&M Comments
EG	DT		<24"	<i>Ajuga reptans</i>	Bugleweed	3, 4	4" Pot/12" o.c.	UF	☀, ∅		E	Can be pulled if grows beyond desired boundaries.
EG	DT		<24"	<i>Epimedium rubrum</i> or <i>sulphurescens</i> or cultivars	Barrenwort	3, 4	4" Pot/12" o.c.	UF	∅		B	Cut back foliage before flower stalks appear.
EG	DT		<24"	<i>Euonymus fortunei</i> 'Kewensis'	Winter-creeper euonymous	3, 4	1 Gal./18" o.c.	UF	☀, ∅		E	Can be mowed to keep low.
SEMI	DT		<24"	<i>Geranium macrorrhizum</i> 'Album' or other cultivars	Hardy Geranium	3, 4	1 Gal./18" o.c.	UF	☀, ∅		B	
EG	DT		<24"	<i>Pachysandra terminalis</i>	Japanese Spurge	3, 4	4" Pot/12" o.c.	UF	∅		C	
EG	DT		<24"	<i>Sibbaldiopsis tridentata</i> (= <i>Potentilla tridentata</i> )	Three-toothed Cinquefoil	3, 4	4" Pot/12" o.c.	UF	∅		E	
EG	DT		<24"	<i>Rubus tricolor</i>	Creeping Chinese Bramble	3, 4	4" Pot/12" o.c.	UF	∅	Tolerates deep shade. Not as aggressive or spiny as other <i>Rubus</i> groundcovers. Red fuzzy stems and shiny leaves.	E	



**Table E.9 (continued). Groundcovers if Low Profile is Required.**

EG	DT	NWN	Height from Ground	Scientific Name	Common Name	Planting Zone	Suggested Size/ Spacing	Urban Frontage	Exposure	Design Comments	O&M Code	Additional O&M Comments
EG	DT	NWN	<24"	<i>Sedum divergens</i>	Stonecrop	3, 4	4" Pot/12" o.c.	UF	☀, ∅	Tolerates hot dry sites.	E	LOS A: For neater appearance deadhead.
EG	DT		<24"	<i>Sedum requieni</i>	Miniature Stonecrop	3, 4, 5	4" Pot/12" o.c.	UF	☀, ∅	Tolerates hot dry sites.	E	
	DT	NWN	<24"	<i>Vancouveria hexandra</i>	Inside Out Flower	3, 4	4" Pot/12" o.c.	UF	∅		E	
SEMI			<24"	<i>Potentilla neumanniana</i> 'Nana'	Dwarf cinquefoil	3, 4, 5	4" Pot/12" o.c.	UF	☀, ∅		E	
EG			<24"	<i>Ophiopogon japonicus</i> 'Nanus'	Dwarf mondo grass	3, 4, 5	4" Pot/12" o.c.	UF	☀, ∅	Can space at 15" o.c. for cost saving	E	

SEMI = Semi-evergreen

DT = Drought Tolerant

DR = Drought Resistant

NWN = Northwest Natives or Cultivars

UF = Urban Frontage (Mixed Use/Commercial) appropriate plants

☀ = Full Sun

∅ = Part Sun/Part Shade

LOS = Level of Service

Table E.10. Steppable Plants.

EG	DT	NWN	Height from Ground	Scientific Name	Common Name	Planting Zone	Suggested Size/ Spacing	Urban Frontage	Exposure	Design Comments	O&M Code	Additional O&M Comments
EG			<24"	<i>Ophiopogon japonicus</i> 'Nanus'	Dwarf mondo grass	3, 4, 5	4" Pot/12" o.c.	UF	☀, ∅	Can space at 15" o.c. for cost saving	E	
SEMI			<24"	<i>Potentilla neumanniana</i> 'Nana'	Dwarf cinquefoil	3, 4, 5	4" Pot/12" o.c.	UF	☀, ∅		E	
EG	DT	NWN	<24"	<i>Sedum oreganum</i>	Stonecrop	3, 4, 5	4" Pot/12" o.c.	UF	☀	Tolerates hot dry sites.	E	
EG	DT		<24"	<i>Sedum requieni</i>	Miniature Stonecrop	3, 4, 5	4" Pot/12" o.c.	UF	☀, ∅	Tolerates hot dry sites.	E	
EG	DT		<24"	<i>Thymus serpyllum</i> 'Elfin'	Elfin creeping thyme	3, 4, 5	4" Pot/12" o.c.	UF	☀		F	
EG	DT		<24"	<i>Veronica liwanensis</i>	Speedwell	3, 4, 5	4" Pot/12" o.c.	UF	∅		E	LOS A: Cut back for neater appearance.

SEMI = Semi-evergreen

DT = Drought Tolerant

DR = Drought Resistant

NWN = Northwest Natives or Cultivars

UF = Urban Frontage (Mixed Use/Commercial) appropriate plants

☀ = Full Sun

∅ = Part Sun/Part Shade

LOS = Level of Service

**Table E.11. Conifers (deciduous and evergreen).**

Scientific and Common Name	Mature Urban Height	Spread	Under Wires?	Min Strip Width	Planting Zone	Fall Color	SDOT List	Design Comments
<i>Calocedrus decurrens</i> , Incense Cedar	75	15	No	8	3			
<i>Metasequoia glyptostroboides</i> , Dawn Redwood	50	25	No	6	1, 2, 3	Yes		Fast growing deciduous conifer.
<i>Pinus contorta</i> , Shore Pine	45	30	No	5	1, 2, 3			Facultative species that grows well in sandy soils. Found in wetland and upland habitats.
<i>Taxodium distichum</i> , Bald Cypress	55	35	No	8	1, 2, 3	Yes		A deciduous conifer, broadly spreading when mature – columnar when young.
<i>Taxodium distichum</i> 'Mickelson,' Shawnee Brave Bald Cypress	55	20	No	6	1, 2, 3	Yes	x	Deciduous conifer – tolerates city conditions.
<i>Thuja plicata</i> 'Excelsa' or 'Hogan,' Western Red Cedar	40	15–20	No	8	1, 2, 3			Narrow columnar form.

**Table E.12. Medium/Large Broad-leaved Evergreen Trees.**

Scientific and Common Name	Mature Height	Spread	Under Wires?	Min Strip Width	Planting Zone	Fall Color	SDOT List	Design Comments
<i>Lithocarpus densiflorus</i> , Tanoak	50	20	No	6	3			
<i>Quercus Ilex</i> , Holly Oak	40	30	No	5	3	N/A	x	Underside of leaf is silvery-white. Often has a prominent umbrella form. Prune for form.
<i>Umbellularia californica</i> , Oregon Myrtlewood	60	30	No	5	1, 2, 3			Drought tolerant native in S. OR. Fruit looks like miniature limes.

Table E.13. Large Deciduous Columnar Trees.

Scientific and Common Name	Mature Height	Spread	Under Wires?	Min Strip Width	Planting Zone	Fall Color	SDOT List	Design Comments
<i>Acer nigrum</i> 'Green Column,' Green Column Black Sugar Maple	50	10	No	6	3	Yes	x	
<i>Ginkgo biloba</i> 'Princeton Sentry,' Princeton Sentry Ginkgo	40	15	No	6	3	Yes	x	Prune for form
<i>Quercus robur</i> 'fastigiata,' Skyrocket Oak	40	15	No	6	3	N/A	x	

Table E.14. Large Deciduous Trees.

Scientific and Common Name	Mature Height	Spread	Under Wires?	Min Strip Width	Planting Zone	Fall Color	SDOT List	Design Comments
<i>Acer saccharum</i> 'Commemoration' or 'Bonfire' Commemoration or Bonfire Sugar Maple	50	35	No	6	1, 2, 3	Yes	x	Resistant to leaf tatter.
<i>Fagus sylvatica</i> , Green Beech	50	40	No	6	3	Yes	x	Silvery-grey bark. Can't handle root disturbance.
<i>Fagus sylvatica</i> 'Asplenifolia,' Fernleaf Beech	60	50	No	6	3	Yes	x	Can't handle root disturbance.
<i>Ginkgo biloba</i> 'Magyar,' Magyar Ginkgo	50	25	No	6	3	Yes	x	More upright and narrow than 'Autumn Gold.' Needs training when young.
<i>Liriodendron tulipifera</i> , Tulip Tree	60+	30	No	8	1, 2, 3	Yes	x	Fast-growing tree.
<i>Platins x acerifolia</i> 'Bloodgood,' Bloodgood London Planetree	50+	40	No	8	1, 2, 3	N/A	x	More anthracnose resistant than other varieties – large tree that needs space.
<i>Quercus bicolor</i> , Swamp White Oak	60	45	No	8	1, 2, 3	N/A	x	Shaggy peeling bark. Wet-soil tolerant.
<i>Quercus coccinea</i> , Scarlet Oak	60	40	No	6	3	Yes	x	Good fall color.
<i>Quercus imbricaria</i> , Shingle Oak	60	50	No	6	3	N/A	x	Leaves can persist throughout the winter.
<i>Quercus rubra</i> , Red Oak	60	45	No	8	1, 2, 3	Yes	x	Fast growing oak – large tree that needs space. Heavy acorn producer.
<i>Tilia tomentosa</i> , Silver Linden	60	50	No	6	3	Yes		Larger leaves than Littleleaf Linden. Fragrant flowers.
<i>Ulmus</i> 'Frontier' or 'Morton Glossy,' Frontier or Triumph Elm	50	35	No	6	1, 2, 3	Yes	x	Resistant to Dutch elm disease.
<i>Zelkova serrata</i> 'Greenvase' or 'Village Green' Green Vase or Village Green Zelkova	45	40	No	6	3	Yes	x	Exfoliating bark. Dark green leaves turn orange-red and purple in fall.

Table E.15. Medium/Large Deciduous Trees.

Scientific and Common Name	Mature Height	Spread	Under Wires?	Min Strip Width	Planting Zone	Fall Color	SDOT List	Design Comments
<i>Acer campestre</i> 'Evelyn,' Queen Elizabeth Hedge Maple	40	30	No	5	1, 2, 3	Yes	x	More upright branching than the species.
<i>Acer freemanii</i> 'Autumn Blaze,' Autumn Blaze Maple	50	40	No	6	1, 2, 3	Yes	x	Cross between red and silver maple – fast growing with good fall color.
<i>Acer rubrum</i> 'Scarsen,' Scarlet Sentinel Maple	40	25	No	6	1, 2, 3	Yes	x	Leaves are darker green and larger than those of other Red Maples and hold up well in summer heat. Upright branch habit.
<i>Aesculus x carnea</i> 'Briottii,' Red Horsechestnut	30	35	No	6	3	N/A	x	Do not use near greenways or bicycle routes due to litter. Resists heat and drought better than other horse chestnuts.
<i>Betula nigra</i> , River Birch	40	30	No	5	1, 2, 3	Yes		Excellent flaky bark. Resistant to Bronze Birch Borer.
<i>Cercidiphyllum japonicum</i> , Katsura tree	45	40	No	8	1, 2, 3	Yes		
<i>Eucommia ulmoides</i> , Hardy Rubber Tree	50	40	No	6	3	N/A	x	Dark green, very shiny leaves – insignificant fall color.
<i>Fagus sylvatica</i> 'Rohanii,' Purple Oak Leaf Beech	50	30	No	6	3	N/A	x	Purple leaves with wavy margins.
<i>Ginkgo biloba</i> 'Autumn Gold,' Autumn Gold Ginkgo	45	35	No	6	3	Yes	x	Narrow when young.
<i>Nothofagus antarctica</i> , Antarctic Beech	50	35	No	5	3	No	x	Rugged twisted branching and petite foliage.
<i>Quercus frainetto</i> , Italian Oak	50	30	No	6	3	N/A	x	Drought resistant – green, glossy leaves in summer.
<i>Sophora japonica</i> 'Regent,' Japanese Pagodatree	45	40	No	6	3	Yes	x	Has a rapid growth rate and tolerates city conditions, heat, and drought.
<i>Tilia cordata</i> 'Greenspire,' Greenspire Linden	40	30	No	6	3	Yes	x	Symmetrical, pyramidal form. Fragrant flowers.
<i>Ulmus parvifolia</i> 'Emer II,' Allee Elm	45	35	No	5	1, 2, 3	Yes	x	Exfoliating bark and good fall color – Resistant to Dutch Elm Disease.

Table E.16. Medium Columnar Deciduous Trees.

Scientific and Common Name	Mature Height	Spread	Under Wires?	Min Strip Width	Planting Zone	Fall Color	SDOT List	Design Comments
<i>Acer rubrum</i> 'Bowhall,' Bowhall Maple	40	20	No	6	1, 2, 3	Yes	x	Upright, pyramidal form.
<i>Carpinus betulus</i> 'Fastigiata,' Pyramidal European Hornbeam	40	15	No	5	1, 2, 3	Yes	x	Broadens when older.
<i>Fagus sylvatica</i> 'Dawyck Purple,' Dawyck Purple Beech	40	12	No	6	3	Yes	x	Purple foliage.
<i>Oxydendron arboreum</i> , Sourwood	35	12	No	5	3	Yes	x	Consistent and brilliant fall color.
<i>Nyssa sylvatica</i> , Tupelo	40	20	No	6	1, 2, 3	Yes	x	Chunky bark. Takes standing water and drought.

Table E.17. Medium Deciduous Trees.

Scientific and Common Name	Mature Height	Spread	Under Wires?	Min Strip Width	Planting Zone	Fall Color	SDOT List	Design Comments
<i>Acer rubrum</i> 'Karpick,' Karpick Maple	40	20	No	6	1, 2, 3	Yes	x	Finer texture than other narrow forms of columnar maple.
<i>Acer truncatum</i> x <i>A. platanoides</i> 'Keithsform' or 'Warrenred,' Norwegian or Pacific Sunset Maple	35	25	No	5	3	Yes	x	Reliable reddish orange fall color.
<i>Cladrastis kentukea</i> , Yellowwood	40	40	No	5	3	Yes	x	White flowers in spring, resembling wisteria flower – blooms profusely only every 2 to 4 years – yellow/gold fall color
<i>Cornus controversa</i> 'June Snow,' Giant Dogwood	40	30	No	5	3	Yes	x	Frothy, 6-inch clusters of white flowers in June.
<i>Corylus colurna</i> , Turkish Filbert	40	25	No	5	3	Yes	x	Tight, formal, dense crown – Nice central leader. Not for mixed use areas with high pedestrian traffic dues to significant debris from nuts. Drought tolerant. Plant smaller sizes in order to facilitate establishment.
<i>Magnolia denudata</i> , Yulan Magnolia	40	40	No	5	3	N/A	x	6-inch fragrant white flowers in spring.
<i>Ostrya virginiana</i> , Ironwood	40	25	No	5	3	Yes	x	Hop like fruit – slow growing
<i>Pterostyrax hispida</i> , Fragrant Epaulette Tree	40	30	No	5	3	Yes	x	Pendulous creamy white flowers – fragrant
<i>Ulmus parvifolia</i> 'Emer I,' Athena Classic Elm	30	35	No	5	1, 2, 3	Yes	x	High resistance to Dutch Elm Disease. Drought resistant. Cinnamon colored exfoliating bark.



Table E.18. Small Conifer/Broad-leaved Evergreen Trees.

Scientific and Common Name	Mature Height	Spread	Under Wires?	Min Strip Width	Planting Zone	Fall Color	SDOT List	Design Comments
<i>Chamaecyparis obtusa gracilis</i> , Slender Hinoki False Cypress	15	6	Yes	5	3			Drought tolerant when established.
<i>Embothrium coccineum</i> , Chilean Flame Tree	30	15	No	5	3			Brilliant orange red flowers in late spring. Tree can sucker.
<i>Eucryphia glutinosa</i> , Brushbush	25	15	Yes	5	3			Semi-evergreen. Best in part shade.
<i>Magnolia grandiflora</i> 'Edith Bogue,' Edith Bogue Magnolia	18	12	Yes	5	1, 2, 3			Excellent BLE magnolia due to hardiness.
<i>Magnolia grandiflora</i> 'Victoria,' Victoria Evergreen Magnolia	25	20	Yes	5	1, 2, 3	N/A	x	
<i>Magnolia maudiae</i> (= <i>Michelia maudiae</i> ), NCN	25	20	Yes	5	3			
<i>Magnolia virginiana</i>	35	35		5	1, 2, 3		x	
<i>Quercus hypoleucoides</i>	30	15	No	5	3			
<i>Quercus myrsinifolia</i> , Chinese Evergreen Oak	30	15	No	5	3			

Table E.19. Small Deciduous Trees.

Scientific and Common Name	Mature Height	Spread	Under Wires?	Min Strip Width	Planting Zone	Fall Color	SDOT List	Design Comments
<i>Acer buegerianum</i> , Trident Maple	30	30	Yes	5	3	Yes	x	Must train to a single stem – interesting bark.
<i>Acer circinatum</i> , Vine Maple	25	25	Yes	5	3	Yes	x	Avoid using on harsh sites – native tree.
<i>Acer griseum</i> , Paperbark Maple	30	20	Yes	5	3	Yes	x	Peeling cinnamon colored bark.
<i>Acer tartaricum</i> , Tartarian Maple	20	20	Yes	5	3	Yes		
<i>Acer triflorum</i> , Three-Flower Maple	25	20	Yes	5	3	Yes	x	Multi seasonal interest with tan, exfoliating bark and red, orange/red fall color.
<i>Amelanchier laevis</i> 'Snowcloud,' Snowcloud Serviceberry	25	15	Yes	4	3	Yes		
<i>Asimina triloba</i> , Paw	30	20	Yes	5	1, 2, 3	N/A	x	Burgundy flower in spring before leaves.
<i>Betula nigra</i> 'Little King,' Little King River Birch	10	12	Yes	5	1, 2, 3	Yes		Suitable for enclosed vertical walls.
<i>Carpinus caroliniana</i> , American Hornbeam	25	20	Yes	5	1, 2, 3	Yes	x	Good fall color (variable – yellow, orange, red).
<i>Cornus kousa x nuttallii</i> 'Starlight,' Starlight Dogwood	20	20	Yes	4	3	Yes		
<i>Lagerstroemia</i> 'tuscaraora,' Tuscarora Hybrid Crape Myrtle	20	20	Yes	4	3	Yes	x	Light cinnamon brown bark lends year round interest – drought resistant – likes a warm site.
<i>Maackia amurensis</i> , Amur Maackia	30	20	Yes	5	3	N/A	x	Exfoliating bark – flowering in June or July – varies in intensity from year to year.
<i>Magnolia</i> 'Elizabeth,' Elizabeth Magnolia	30	20	Yes	5	3	N/A	x	Yellowish to cream colored flower in spring.

**Table E.19 (continued). Small Deciduous Trees.**

<b>Scientific and Common Name</b>	<b>Mature Height</b>	<b>Spread</b>	<b>Under Wires?</b>	<b>Min Strip Width</b>	<b>Planting Zone</b>	<b>Fall Color</b>	<b>SDOT List</b>	<b>Design Comments</b>
<i>Magnolia</i> 'Galaxy,' Galaxy Magnolia	25	25	Yes	5	1, 2, 3	Yes	x	Suitable for enclosed vertical walls. Showy pink flowers.
<i>Magnolia kobus</i> 'Wada's Memory,' Wada's Memory Magnolia'	30	20	Yes	5	3	Yes	x	Drought tolerant. Does not flower well when young.
<i>Malus</i> 'Lancelot' ('Lanzam'), Lancelot Crabapple	15	15	Yes	4	3	Yes	x	Red flower buds, blooming white – red persistent fruit.
<i>Parrotia persica</i> , Persian Parrotia	30	20	No	5	3	Yes		Blooms before it leafs out – drought tolerant – Varied fall color – reds, oranges and yellows.
<i>Frangula purshiana</i> , Cascara	30	20	Yes	5	1, 2, 3	Yes	x	Facultative native species. Found in wetland and upland habitats. Can tolerate bioretention street tree environments; however, does not grow as well in narrow, hot ROW locations. Suitable for enclosed vertical walls.
<i>Salix matsudana</i> 'Tortuosa,' Corkscrew willow	30	15	Yes	5	1, 2, 3	Yes		Do not use with underdrain.
<i>Stewartia pseudocamellia</i> , Japanese Stewartia	25	15	Yes	5	3	Yes		Camellia-like flowers in summer. Interesting bark. Slow grower.
<i>Styrax japonica</i> , Japanese Snowbell	25	25	Yes	5	3	Yes	x	Reliable and easy to grow, it has plentiful, green 1/2-inch seeds. Flowers similar to lily in the valley.
<i>Tilia cordata</i> 'Chancole' or 'De Groot,' Chancellor or De Groot Littleleaf Linden	30+	20	No	C = 6, D = 5	3	Yes	x	Pyramidal when young. Fragrant flowers that attract bees. One of the smaller stature littleleaf lindens.

## Biofiltration Swales

**Table E.20. Plants Tolerant of Frequent Saturated Soil Conditions or Standing Water.**

EG	DT	NWN	Agg <sup>a</sup>	Scientific Name	Common Name	BMP Comments	
						Application	Mowable
	DT		A	<i>Agrostis</i> spp.	Bentgrass	S	M
SEMI	DT	NWN		<i>Agrostis exarata</i>	Spike bentgrass	S	M
	DT		A	<i>Agrostis alba</i> or <i>gigantea</i>	Redtop	S	M
EG	DT		A	<i>Agrostis tenuis</i> or <i>capillaris</i>	Colonial bentgrass	S	M
EG				<i>Alopecurus aequalis</i>	Shortawn foxtail	S	M
EG				<i>Alopecurus geniculatus</i>	Water foxtail	S	M
EG			A	<i>Alopecurus pratensis</i>	Meadow foxtail	S	M
EG	DT	NWN		<i>Bromus carinatus</i>	California brome	S	M
SEMI				<i>Carex densa</i>	Dense sedge		
EG		NWN		<i>Carex obnupta</i>	Slough sedge		
SEMI				<i>Carex stipata</i>	Sawbeak sedge		
SEMI				<i>Eleocharis palustris</i>	Spike rush		
EG	DT	NWN		<i>Elymus glaucus</i>	Blue wildrye	S	M
EG	DT	NWN		<i>Elymus mollis</i>	Dune wildrye	S	M
		NWN		<i>Glyceria borealis</i>	Northern mannagrass		
		NWN		<i>Glyceria elata</i>	Tall mannagrass		
				<i>Glyceria grandis</i>	American mannagrass		
EG	DT		A	<i>Juncus effusus</i>	Soft (common) rush		
SEMI	DT			<i>Juncus patens</i>	Spreading rush		
SEMI	DT			<i>Juncus tenuis</i>	Slender rush		
EG			A	<i>Poa trivialis</i>	Rough-stalked bluegrass	S	M
SEMI		NWN		<i>Scirpus acutus</i>	Hardstem bulrush		
SEMI	DT	NWN		<i>Scirpus microcarpus</i>	Small-fruited bulrush		

EG = Evergreen

SEMI = Semi-evergreen

DT = Drought Tolerant/Resistant

NWN = Northwest Natives or Cultivars

A = Aggressive

S = Allowable as seed

M = Mowable

<sup>a</sup> Aggressive category indicates plants to be used with caution or avoided in confined sites (e.g., right-of-way plantings), near greenbelts, etc., due to maintenance concerns.

Note: Plants with mature height over 3' should be grouped in masses no wider than 12' mature width with openings of minimum 10' between masses.

Note: Designer needs to respond to the size and aspect of the individual BMP when selecting plants to be used.

**Table E.21. Plants Suitable for the Upper Side Slopes of a Biofiltration Swale.**

EG	DT	NWN	Agg <sup>a</sup>	Scientific Name	Common Name	BMP Comments	
						Application	Mowable
<b>Groundcovers</b>							
EG	DT	NWN	A	<i>Achillea millefolium</i>	Common yarrow		
	DT	NWN		<i>Arctostaphylos uva-ursi</i>	Kinnikinnick		
	DT	NWN		<i>Allium Cernum</i>	Nodding onion		
SEMI	DT			<i>Epimedium grandiflorum</i>	Epimedium		
EG	DT			<i>Euonymus fortunei</i>	Wintercreeper		
EG	DT	NWN	A	<i>Fragaria chiloensis</i>	Beach strawberry		
		NWN		<i>Lupinus latifolius</i>	Broadleaf lupine		
	DT			<i>Omphalodes verna</i>	Creeping forget-me-not		
EG	DT		A	<i>Rubus calycinoides</i>	Creeping raspberry		
EG	DT	NWN		<i>Sedum oreganum</i>	Oregon stonecrop		
EG	DT	NWN		<i>Sedum divergens</i>	Cascade stonecrop		
EG	DT		A	<i>Trifolium repens</i>	White lawn clover	S	M
<b>Grasses (drought-tolerant, minimum mowing)</b>							
EG				<i>Buchloe dactyloides</i>	Buffalo grass	S	M
EG	DT			<i>Festuca</i> spp. (e.g., Many Mustang, Silverado)	Dwarf tall fescues	S	M
EG				<i>Festuca amethystine</i>	Tufted fescue	S	
EG	DT		A	<i>Festuca arundinacea</i>	tall fescue grass	S	M
EG	DT			<i>Festuca ovina duriuscula</i> (e.g., Reliant, Aurora)	Sheep fescue		
EG	DT	NWN		<i>Festuca idahoensis</i>	Idaho fescue		
EG	DT	NWN	A	<i>Festuca rubra</i>	Creeping red fescue	S	M
EG	DT		A	<i>Festuca rubra</i> var. <i>commutata</i>	Chewings fescue	S	M
EG	DT			<i>Helictotrichon sempervirens</i>	Blue oatgrass		

EG = Evergreen

SEMI = Semi-evergreen

DT = Drought Tolerant/Resistant

NWN = Northwest Natives or Cultivars

A = Aggressive

S = Allowable as seed

M = Mowable

<sup>a</sup> Aggressive category indicates plants to be used with caution or avoided in confined sites (e.g., right-of-way plantings), near greenbelts, etc., due to maintenance concerns.

Note: Plants with mature height over 3' should be grouped in masses no wider than 12' mature width with openings of minimum 10' between tall plant masses.

Note: Designer needs to respond to the size and aspect of the individual BMP when selecting plants to be used.

**Table E.22. Recommended Plants for Wet Biofiltration Swales.**

EG	DT	NWN	Agg <sup>a</sup>	Scientific Name	Common Name	BMP Comments	
						Application	Mowable
SEMI	DT	NWN		<i>Agrostis exarata</i>	Spike bentgrass	S	M
EG	DT		A	<i>Agrostis tenuis</i> or <i>capillaris</i>	Colonial bentgrass	S	M
				<i>Alopecurus aequalis</i>	Shortawn foxtail	S	M
				<i>Alopecurus geniculatus</i>	Water foxtail	S	M
				<i>Eleocharis</i> spp.	Spike rush		
SEMI				<i>Carex densa</i>	Dense sedge		
EG		NWN		<i>Carex obnupta</i>	Slough sedge		
SEMI		NWN		<i>Carex stipata</i>	Sawbeak sedge		
				<i>Carex</i> spp.	Sedge		
EG	DT		A	<i>Festuca arundinacea</i> var.	Tall fescue grass	S	M
EG	DT	NWN	A	<i>Festuca rubra</i>	Creeping red fescue	S	M
				<i>Glyceria occidentalis</i>	Western mannagrass		
EG	DT		A	<i>Juncus effusus</i>	Soft (common) rush		
SEMI	DT			<i>Juncus patens</i>	Spreading rush		
SEMI	DT	NWN		<i>Juncus tenuis</i>	Slender rush		
EG			A	<i>Lolium perenne</i> – Var. dwarf	Dwarf ryegrass	S	
SEMI		NWN		<i>Oenanthe sarmentosa</i>	Water parsley		
SEMI		NWN		<i>Scirpus acutus</i>	Hardstem bulrush		
SEMI	DT	NWN		<i>Scirpus microcarpus</i>	Small-fruited bulrush		

EG = Evergreen

SEMI = Semi-evergreen

DT = Drought Tolerant/Resistant

NWN = Northwest Natives or Cultivars

A = Aggressive

S = Allowable as seed

M = Mowable

<sup>a</sup> Aggressive category indicates plants to be used with caution or avoided in confined sites (e.g., right-of-way plantings), near greenbelts, etc., due to maintenance concerns.

Note: Plants with mature height over 3' should be grouped in masses no wider than 12' mature width with openings of minimum 10' between tall plant masses.

Note: Designer needs to respond to the size and aspect of the individual BMP when selecting plants to be used.

## Sand Filters

**Table E.23. Recommended Plants for Sand Filters.**

EG	DT	NWN	Agg <sup>a</sup>	Scientific Name	Common Name	BMP Comments	
						Application	Mowable
<b>Basin Sides</b>							
	DT	NWN		<i>Achillea millefolium</i>	Yarrow	S	
EG	DT			<i>Agrostis alba</i>	Redtop	S	M
EG	DT	NWN		<i>Agrostis exarata</i>	Spike bentgrass	S	M
EG	DT			<i>Agrostis palustris</i>	Creeping bentgrass	S	M
	DT			<i>Alopecurus pratensis</i>	Meadow foxtail	S	M
EG	DT	NWN		<i>Bromus carinatus</i>	California Brome	S	M
	DT	NWN		<i>Calamagrostis nutkaensis</i>	Pacific reed grass		
EG	DT	NWN		<i>Elymus glaucus</i>	Blue wildrye	S	M
EG	DT	NWN		<i>Elymus mollis</i>	Dune wildrye	S	M
EG	DT	NWN	A	<i>Juncus effusus</i>	Soft rush	S	
	DT	NWN		<i>Lupinus albicaulus</i>	Sickle keeled lupine	S	
EG	DT	NWN		<i>Luzula multiflora</i>	Field woodrush	S	
	DT		A	<i>Poa palustris</i>	Fowl bluegrass	S	M
EG			A	<i>Poa pratensis</i>	Kentucky bluegrass	S	M
<b>Pond Bottom (Sand Surface)</b>							
EG	DT			<i>Agrostis tenuis</i>	Colonial bentgrass (Highland strain good)	S	M
	DT			<i>Buchloe dactyloides</i>	Buffalo grass	S	M
	DT	NWN		<i>Camassia leichlinii</i> or <i>quamash</i>	camas		
EG	DT	NWN		<i>Carex mertensii</i>	Merten's sedge	S	
EG	DT	NWN		<i>Festuca elatior (arundinacea)</i>	Tall fescue	S	M
EG	DT	NWN		<i>Festuca elatior</i> "Many Mustang," "Silverado"	Dwarf tall fescues	S	M
EG	DT	NWN		<i>Fescue roemerii (idahoensis)</i>	Roemer's or Idaho fescue	S	
EG	DT	NWN		<i>Festuca rubra</i>	Red fescue	S	M
SEMI	DT	NWN		<i>Iris missouriensis</i>	Rocky Mountain iris		
EG	DT	NWN		<i>Juncus tenuis</i>	Slender rush	S	
EG	DT			<i>Lolium perenne</i>	Perennial ryegrass	S	M
EG	DT	NWN		<i>Luzula parviflora</i>	Small flowered woodrush	S	
EG	DT			<i>Trifolium repens</i>	White lawn clover	S	M
EG	DT			<i>Zoysia tenuifolia</i>	Korean grass	S	M

EG = Evergreen

SEMI = Semi-evergreen

DT = Drought Tolerant/Resistant

NWN = Northwest Natives or Cultivars

A = Aggressive

S = Allowable as seed

M = Mowable

<sup>a</sup> Aggressive category indicates plants to be used with caution or avoided in confined sites (e.g., right-of-way plantings), near greenbelts, etc., due to maintenance concerns.

Note: Plants with mature height over 3' should be grouped in masses no wider than 8' mature size with openings of min. 10' between tall plant masses.

Note: Designer needs to respond to the size and aspect of the individual BMP when selecting plants to be used.

## Wet Ponds

Table E.24. Plants for Wet Pond Peripheries.

EG	DT	NWN	Agg <sup>a</sup>	Scientific Name	Common Name	BMP Comments	
						Application <sup>b</sup>	Mature Height
<b>Trees to Provide Shading<sup>c</sup></b>							
	DT	NWN		<i>Acer circinatum</i>	Vine maple	W	25'
				<i>Betula nigra</i>	River birch	W	40'
EG		NWN		<i>Myrica californica</i>	Pacific wax myrtle		18'
				<i>Nyssa Sylvatica</i>	Tupelo	W	40'
		NWN		<i>Oemleria cerasiformis</i>	Indian plum		10'
		NWN		<i>Prunus emarginata</i>	Wild cherry		40'
				<i>Taxus brevifolia</i>	Pacific yew		40'
EG	DT	NWN		<i>Thuja plicata</i>	Western red cedar	W	40'
<b>Small Trees/High Shrubs with Fibrous Roots for Berms</b>							
		NWN		<i>Acer circinatum</i>	Vine maple	W	25'
		NWN		<i>Amelanchier alnifolia</i>	Serviceberry		25'
EG	DT			<i>Arbutus unedo</i>	Strawberry tree		25'
		NWN		<i>Comus Stolonifera</i>	Red twig dogwood	W	20'
		NWN		<i>Corylus comuta</i> var. <i>cornuta</i>	Filbert		20'
		NWN		<i>Physocarpus capitatus</i>	Pacific ninebark		12'
		NWN	A	<i>Rubus spectabilis</i>	Salmonberry	W	8'
		NWN		<i>Sambucus racemosa</i>	Red elderberry		10'
				<i>Vaccinium opulus</i>	Highbush cranberry		10'
				<i>Vaccinium</i> spp.	Blueberry		4'-12'
<b>Low Shrubs and Grasses with Fibrous Roots for Berms</b>							
EG		NWN		<i>Arctostaphylos uva-ursi</i>	Kinnikinnick		0.5'
				<i>Cistus</i> spp.	Rock rose		2'-4'
SEMI		NWN		<i>Deschampsia cespitosa</i>	Tufted hairgrass		3'
EG	DT			<i>Festuca arundinacea</i>	tall fescue grass		3'
EG	DT			<i>Festuca ovina duriuscula</i> (e.g., Reliant, Aurora)	Sheep fescue		1'
		NWN		<i>Festuca rubra</i>	red fescue	W	0.5'
EG		NWN		<i>Gaultheria shallon</i>	Salal		4'
				<i>Helictotrichon sempervirens</i>	blue oatgrass		3'
EG		NWN		<i>Ledum groenlandicum</i>	Labrador tea	W	5'
				<i>Polystichum munitum</i>	sword fern	W	4'
		NWN	A	<i>Symphoricarpus albus</i>	Snowberry		5'
			(A)	e.g., <i>Miscanthis</i> , <i>Pennisetum</i>	Ornamental grasses		varies

EG = Evergreen

SEMI = Semi-evergreen

DT = Drought Tolerant/Resistant

NWN = Northwest Natives or Cultivars

A = Aggressive

W = Wet Tolerant

<sup>a</sup> Aggressive category indicates plants to be used with caution or avoided in confined sites (e.g., right-of-way plantings), near greenbelts, etc., due to maintenance concerns.

<sup>b</sup> Tolerant of occasional saturated soils or minimal inundation (<6" depth) for short periods (<72 hours).

<sup>c</sup> If BMP has a liner, designer should review plants accordingly; trees generally are not appropriate to liner conditions.

Note: Plants with mature height over 3' should be grouped in masses no wider than 8' mature size with openings of min. 10' between tall plant masses.

Note: Designer needs to respond to the size and aspect of the individual BMP when selecting plants to be used.

Note: Many factors contribute to waterfowl use of ponds and adjacent areas. Designers should investigate site-specific conditions and best practice methods to discourage waterfowl use as necessary.



## E-10. Drywell Sizing Tables

For small projects with no approved off-site point of discharge (refer to *Volume 3, Section 4.3.2*), Table E.25, Table E.26, and Table E.27 specify the required area for drywells of 4-foot and 6-foot depths to be used as overflow/point of discharge downstream of a bioretention cell or a permeable pavement facility sized for the water quality treatment standard, pre-developed pasture standard, and the on-site stormwater management standard, respectively.

The minimum measured infiltration rate from a Small or Large Pilot Infiltration Test (PIT) that is required to use these tables is 0.25 inch per hour (in/hr).

**Table E.25. Drywell Sizing Downstream of Bioretention Sized for Water Quality Treatment Standard or Permeable Pavement Facility.<sup>c</sup>**

Contributing Area (sf)	Drywell Area (sf) <sup>a, b, c</sup>	
	Drywell Depth = 4 ft	Drywell Depth = 6 ft
500	27	19
1,000	98	67
1,500	164	115
2,000	240	169
2,500	314	222
3,000	390	278
3,500	468	336
4,000	548	396
4,500	630	459
5,000	713	524

<sup>a</sup> Sizing was performed using a 5-minute computational time-step and the "Seattle 38" 158-year synthetic precipitation series.

<sup>b</sup> Drywell was sized to minimize the 25-year peak flow target to no more than 0.0001 cfs. Drywell design/modeling representation included a 4-foot or 6-foot depth, 25 percent porosity, 0.25 in/hr measured soil infiltration rate, and a variable length and width.

<sup>c</sup> Bioretention and permeable pavement facilities must be sized per the pre-sized requirements in *Volume 3* based on the amount of contributing area.

**Table E.26. Drywell Sizing Downstream of Bioretention Sized for the Pre-Developed Pasture Standard.<sup>c</sup>**

Contributing Area (sf)	Drywell Area (sf) <sup>a, b, c</sup>	
	Drywell Depth = 4 ft	Drywell Depth = 6 ft
500	14	9
1,000	71	49
1,500	130	90
2,000	200	137
2,500	260	184
3,000	326	234
3,500	393	286
4,000	462	341
4,500	532	399
5,000	605	458

<sup>a</sup> Sizing was performed using a 5-minute computational time-step and the "Seattle 38" 158-year synthetic precipitation series.

<sup>b</sup> Drywell was sized to minimize the 25-year peak flow target to no more than 0.0001 cfs. Drywell design/modeling representation included a 4-foot or 6-foot depth, 25 percent porosity, 0.25 in/hr measured soil infiltration rate, and a variable length and width.

<sup>c</sup> Bioretention and permeable pavement facilities must be sized per the pre-sized requirements in *Volume 3* based on the amount of contributing.

**Table E.27. Drywell Sizing Downstream of Bioretention Sized for the On-Site Stormwater Management Standard.**

Contributing Area (sf)	Bioretention Bottom Area (sf) <sup>a, b</sup>	Drywell Area (sf) <sup>b, c</sup>	
		Drywell Depth = 4 ft	Drywell Depth = 6 ft
500	9	56	39
1,000	17	99	68
1,500	30	170	119
2,000	44	249	178
2,500	60	332	238
3,000	76	417	299
3,500	94	501	361
4,000	112	587	424
4,500	131	665	488
5,000	151	753	544

<sup>a</sup> Bioretention design/modeling representation included 6 inches of ponding, 0.25 in/hr measured soil infiltration rate, 3H:1V BMP side slopes, a square bottom area, 12-inch bioretention soil thickness, 40 percent porosity, 3 in/hr bioretention soil infiltration rate, and a 12-inch overflow structure diameter.

<sup>b</sup> Sizing was performed using a 5-minute computational time-step and the "Seattle 38" 158-year synthetic precipitation series.

<sup>c</sup> Drywell was sized to reduce the 25-year peak discharge rate to no more than 0.0001 cfs. Drywell design/modeling representation included a 4-foot or 6-foot depth, 25 percent porosity, 0.25 in/hr measured soil infiltration rate, and a square bottom area.

Table E.28 specifies the required area for drywells of 4-foot and 6-foot depths that are not located downstream of a bioretention cell or permeable pavement facility.

**Table E.28. Drywell Sizing Without Bioretention or Permeable Pavement Facility Upstream.**

Contributing Area (sf)	Drywell Area (sf) <sup>a, b</sup>	
	Drywell Depth = 4 ft	Drywell Depth = 6 ft
500	125	88
1,000	249	175
1,500	347	263
2,000	498	350
2,500	623	438
3,000	747	526
3,500	872	613
4,000	996	701
4,500	1,121	788
5,000	1,245	876

<sup>a</sup> Sizing was performed using a 5-minute computational time-step and the “Seattle 38” 158-year synthetic precipitation series.

<sup>b</sup> Drywell was sized to minimize the 25-year peak flow target to no more than 0.0001 cfs. Drywell design/modeling representation included a 4-foot or 6-foot depth, 25 percent porosity, 0.25 in/hr measured soil infiltration rate, and a variable length and width.

Drywells that do not meet the above design criteria and assumptions shall be sized to meet the requirements for projects with no offsite point of discharge per *Volume 3, Section 4.3.2*.

This page intentionally left blank.